

MEADE CONCRETE COMPANY LLC

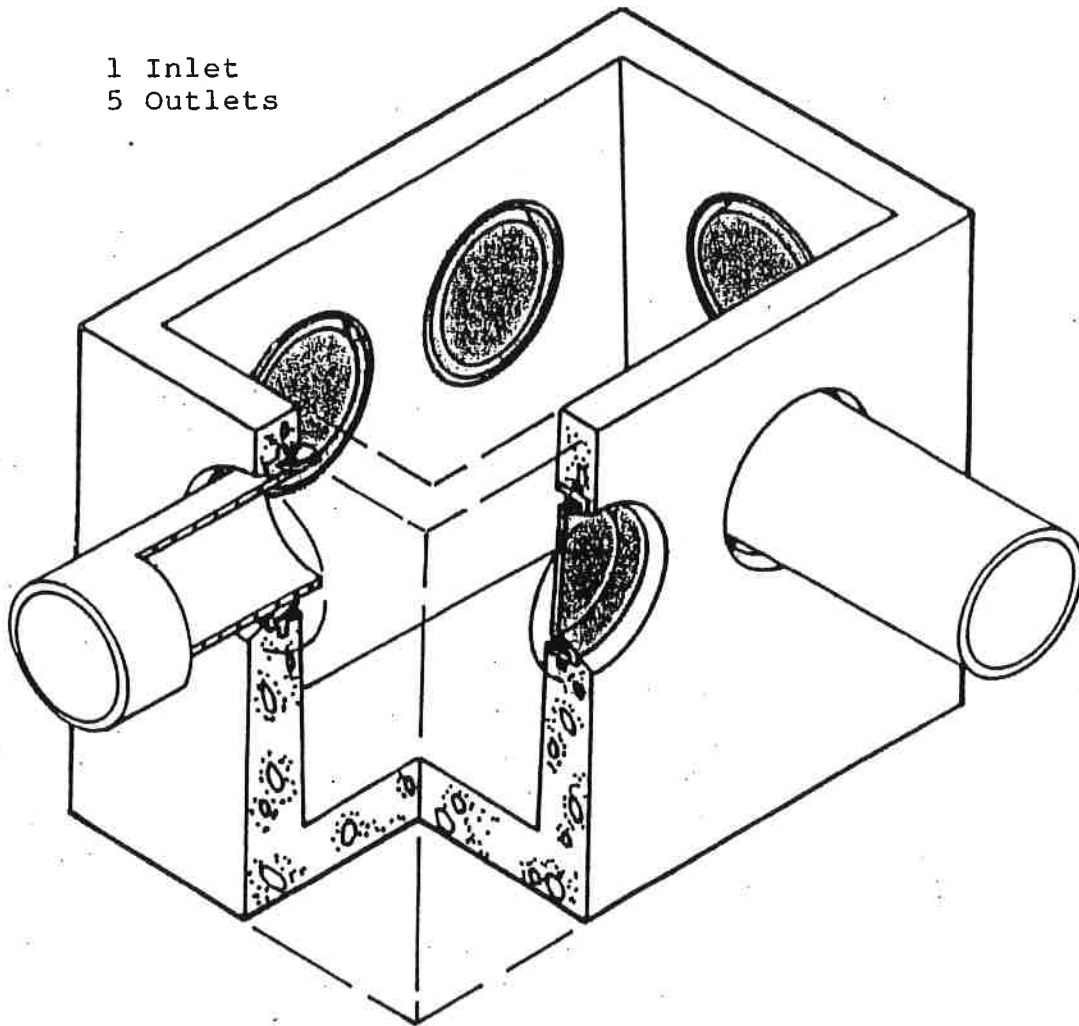
W10440 Cty Rd K, P.O. Box 167 Lodi, WI 53555

(608) 592-3803 FAX (608) 592-3804

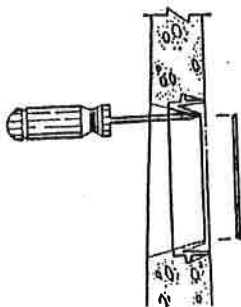
info@meadeconcrete.com

DISTRIBUTION BOXES

1 Inlet
5 Outlets



WILL ACCOMODATE THE FOLLOWING 4" PIPE: STANDARD
SEWER/DRAIN/CAST IRON/ SCHEDULE 20,35 & 40/
CORRUGATED. ALL THIS WITH A SINGLE SEAL!



USE A SCREWDRIVER, KEY OR STICK TO REMOVE
THE KNOCKOUT WEB. "DO NOT USE A KNIFE, IT MAY
DAMAGE THE INTEGRITY OF THE SEAL."

NOTE: THE KNOCKOUT WEB SHOULD ONLY BE
REMOVED WHEN YOU ARE READY TO INSTALL THE
PIPE!

