

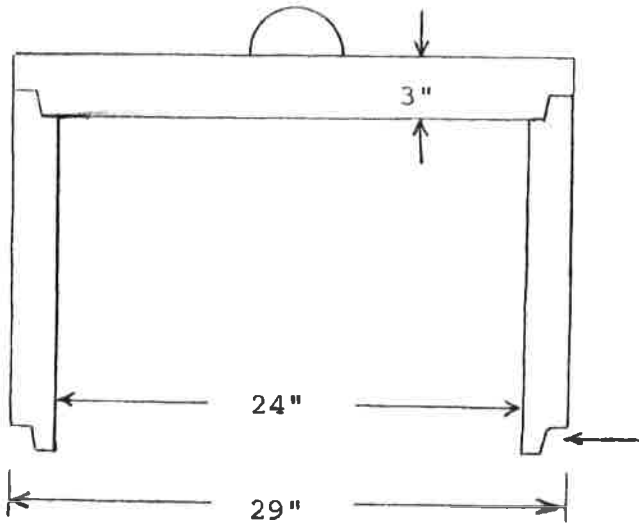
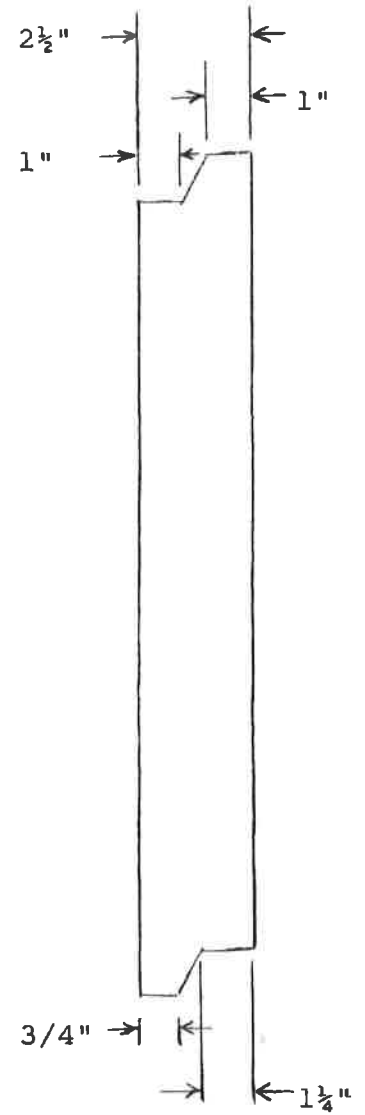
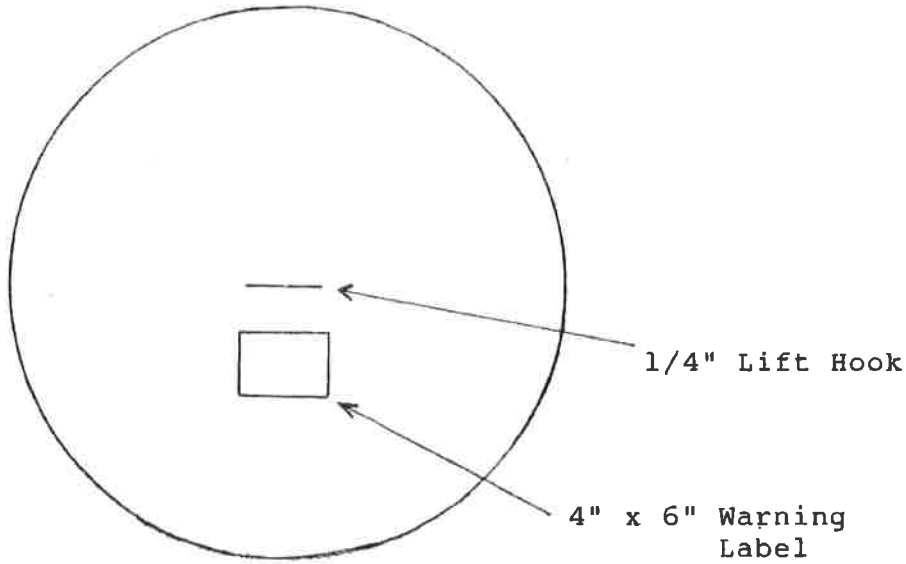
MEADE CONCRETE COMPANY LLC

W10440 Cty Rd K, P.O. Box 167 Lodi, WI 53555

(608) 592-3803 FAX (608) 592-3804

info@meadeconcrete.com

MANHOLE COVER AND RISER JOINT DETAIL



Conceal Sealant
CS 101
Between Joints