

Momo Handles
Traditional Collection

Contact Details

Phone: 1300 123 700
 Fax: 1300 123 750
 Email: info@furnwardorset.com.au

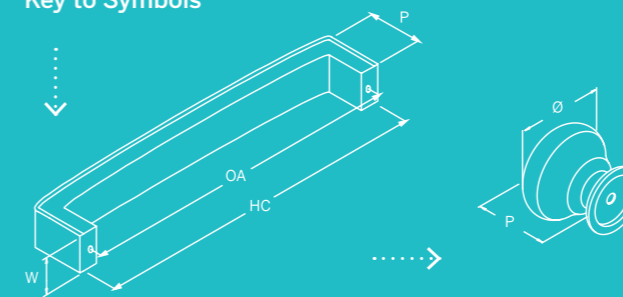
www.furnwardorset.com.au



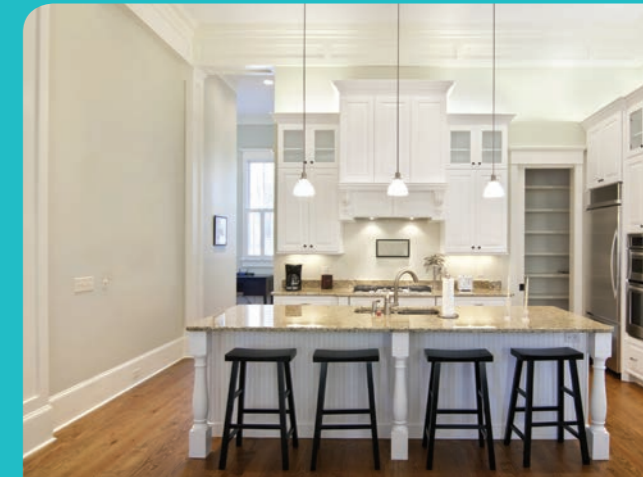
Momo Handles Traditional Collection

Hampton Collection	2-3
Porcelain Collection	4-9
Woodgrain Collection	10-11
Cast Iron Collection	12-23
Vintage Collection	24-31
Antique Collection	32-43
Index	44-47

Key to Symbols



HC = Hole centre OA = Overall length W = Width P = Projection Ø = Diameter



Welcome to Furnware Dorset's Traditional collection of Momo Handles

The Momo Handle range, distributed exclusively by Furnware Dorset, showcases a comprehensive and stunning range of cabinet handles created by experienced international designers.

Encompassing a wide range of styles from timeless classical to sleek modern, Momo Handles has something to satisfy every taste.

For more information or to place an order, call 1300 123 700 or visit us at www.furnwardorset.com.au

MOMO
HANDLES



Hampton - Brushed Nickel

- Material: Zinc Alloy
- Cup pulls have rear-fixing lugs that require an 8mm diameter hole with a depth of 9mm

Part No.	Finish	HC	OA	W	P
A HMK032.BRN	Brushed Nickel	-	32 Ø	-	38
B HMC096.BRN	Brushed Nickel	96	106	39	24
C HMD160.BRN	Brushed Nickel	160	168	15	27

HC = Hole centre OA = Overall length W = Width P = Projection Ø = Diameter

MOMO
HANDLES



Hampton - Chrome Plated

- Material: Zinc Alloy
- Cup pulls have rear-fixing lugs that require an 8mm diameter hole with a depth of 9mm

Part No.	Finish	HC	OA	W	P
A HMK032.CP	Chrome Plated	-	32 Ø	-	38
B HMC096.CP	Chrome Plated	96	106	39	24
C HMD160.CP	Chrome Plated	160	168	15	27

HC = Hole centre OA = Overall length W = Width P = Projection Ø = Diameter

© Copyright 2015 All Rights Reserved. Specifications subject to change without notice.

© Copyright 2015 All Rights Reserved. Specifications subject to change without notice.



MOMO
HANDLES

Trianon Cream Crackle & Antique Brass

- Material: Porcelain & Zinc Alloy

Part No.	Finish	HC	OA	W	P
A TCM3620.CRCRAB	Cream Crackle & Antique Brass	-	35 Ø	-	32
B TCM3621.CRCRAB	Cream Crackle & Antique Brass	-	90	25	42
C TCM3622.CRCRAB	Cream Crackle & Antique Brass	128	154	25	40
D TCM3623.224.CRCRAB	Cream Crackle & Antique Brass	224	245	62	32
E TCM3623.320.CRCRAB	Cream Crackle & Antique Brass	320	345	62	32

HC = Hole centre OA = Overall length W = Width P = Projection Ø = Diameter

© Copyright 2015 All Rights Reserved. Specifications subject to change without notice.



MOMO
HANDLES

Trianon White Crackle & Pewter

- Material: Porcelain & Zinc Alloy

Part No.	Finish	HC	OA	W	P
A TCM3620.WHCRPW	White Crackle & Pewter	-	35 Ø	-	32
B TCM3621.WHCRPW	White Crackle & Pewter	-	90	25	42
C TCM3622.WHCRPW	White Crackle & Pewter	128	154	25	40
D TCM3623.224.WHCRPW	White Crackle & Pewter	224	245	62	32
E TCM3623.320.WHCRPW	White Crackle & Pewter	320	345	62	32

HC = Hole centre OA = Overall length W = Width P = Projection Ø = Diameter

© Copyright 2015 All Rights Reserved. Specifications subject to change without notice.



MOMO
HANDLES

Trianon White & Brushed Nickel

- Material: Porcelain & Zinc Alloy

Part No.	Finish	HC	OA	W	P	
A	TCM3620.WHBRN	White & Brushed Nickel	-	35 Ø	-	32
B	TCM3621.WHBRN	White & Brushed Nickel	-	90	25	42
C	TCM3622.WHBRN	White & Brushed Nickel	128	154	25	40
D	TCM3623.224.WHBRN	White & Brushed Nickel	224	245	62	32
E	TCM3623.320.WHBRN	White & Brushed Nickel	320	345	62	32

HC = Hole centre OA = Overall length W = Width P = Projection Ø = Diameter

© Copyright 2015 All Rights Reserved. Specifications subject to change without notice.

MOMO
HANDLES



Porcellino

- Material: Porcelain & Zinc Alloy

Part No.	Finish	HC	OA	W	P	
A	H4017.WHCR	White Crackle	-	30 Ø	-	31
B	H4016.WHCRAB	White Crackle & Antique Brass	-	41	27	23
C	H4018.WHCRAB	White Crackle & Antique Brass	96	151	17	33
D	H4019.WHCRAB	White Crackle & Antique Brass	76	126	17	33

HC = Hole centre OA = Overall length W = Width P = Projection Ø = Diameter

© Copyright 2015 All Rights Reserved. Specifications subject to change without notice.

MOMO HANDLES



Marbella

- Material: Zinc Alloy & Porcelain

Part No.	Finish	HC	OA	W	P	
A	TP04.32.MOPEPW	Mother Of Pearl & European Pewter	-	32 Ø	-	25
B	TP01.40.MOPEPW	Mother Of Pearl & European Pewter	-	41	25	34
C	TM10.96.MOPEPW	Mother Of Pearl & European Pewter	96	125	20	31
D	TM22.96.MOPEPW	Mother Of Pearl & European Pewter	96	122	20	29

HC = Hole centre OA = Overall length W = Width P = Projection Ø = Diameter

© Copyright 2015 All Rights Reserved. Specifications subject to change without notice.

© Copyright 2015 All Rights Reserved. Specifications subject to change without notice.



Trianon handles pictured - see page 4

MOMO
HANDLES



Limpopo - Dark Brown

- Material: Genuine Bone, Hardwood & Zinc Alloy

Part No.	Finish	HC	OA	W	P	
A	GB34.EPWBR	European Pewter, Natural Bone Colour & Dk Brown Woodgrain	-	34 Ø	-	27
B	GB39.EPWBR	European Pewter, Natural Bone Colour & Dk Brown Woodgrain	-	39 Ø	-	31
C	GB96.EPWBR	European Pewter, Natural Bone Colour & Dk Brown Woodgrain	96	112	22	42
D	GB128.EPWBR	European Pewter, Natural Bone Colour & Dk Brown Woodgrain	128	146	24	46

HC = Hole centre OA = Overall length W = Width P = Projection Ø = Diameter

MOMO
HANDLES



Limpopo - Black

- Material: Genuine Bone, Hardwood & Zinc Alloy

Part No.	Finish	HC	OA	W	P	
A	GB34.NPBL	Nickel Plated, Natural Bone Colour & Black Woodgrain	-	34 Ø	-	27
B	GB39.NPBL	Nickel Plated, Natural Bone Colour & Black Woodgrain	-	39 Ø	-	31
C	GB96.NPBL	Nickel Plated, Natural Bone Colour & Black Woodgrain	96	112	22	42
D	GB128.NPBL	Nickel Plated, Natural Bone Colour & Black Woodgrain	128	146	24	46

HC = Hole centre OA = Overall length W = Width P = Projection Ø = Diameter

© Copyright 2015 All Rights Reserved. Specifications subject to change without notice.

© Copyright 2015 All Rights Reserved. Specifications subject to change without notice.

MOMO HANDLES



Tomi

- Material: Cast Iron

Part No.	Finish	HC	OA	W	P
A TKNB280.30.NI	Natural Iron	-	33 Ø	-	31
B TTKNB280.90.NI	Natural Iron	-	90	26	53
C TDH280.128.NI	Natural Iron	128	155	26	41

Part No.	Finish	HC	OA	W	P
D TDRH280.224.NI	Natural Iron	224	252	64	30
E TDRH280.320.NI	Natural Iron	320	338	64	30

HC = Hole centre OA = Overall length W = Width P = Projection Ø = Diameter

MOMO HANDLES



Crosby

- Material: Cast Iron

Part No.	Finish	HC	OA	W	P
A TJ3738.34.PW	Pewter	-	34 Ø	-	29
B TJ3738.38.PW	Pewter	-	38 Ø	-	34
C TJ3739.PW	Pewter	-	87	25	45
D TJ3742.64.PW	Pewter	64	117	34	35

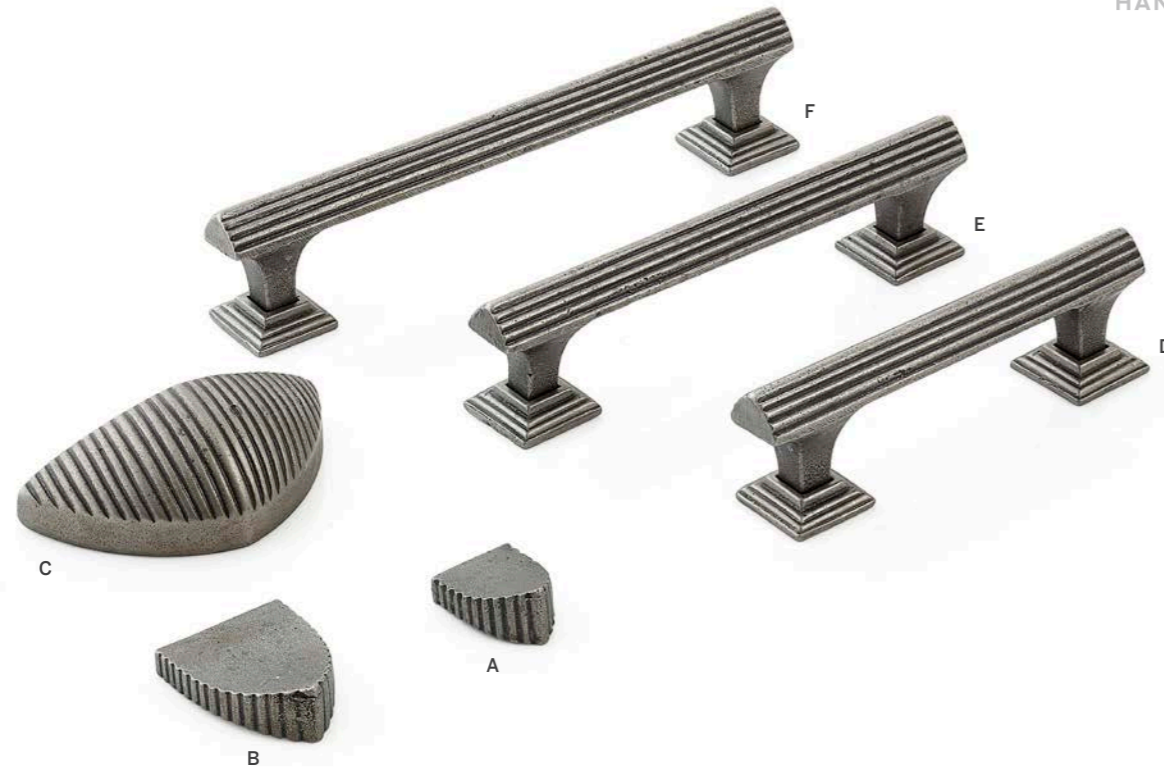
Part No.	Finish	HC	OA	W	P
E TJ3740.224.PW	Pewter	224	249	62	42
F TJ3741.128.PW	Pewter	128	154	26	47
G TJ3741.224.PW	Pewter	224	250	26	47
H TJ3741.320.PW	Pewter	320	346	26	47

HC = Hole centre OA = Overall length W = Width P = Projection Ø = Diameter

© Copyright 2015 All Rights Reserved. Specifications subject to change without notice.

© Copyright 2015 All Rights Reserved. Specifications subject to change without notice.

MOMO
HANDLES



Cian - Natural Iron

- Material: Cast Iron

Part No.	Finish	HC	OA	W	P
A TKNB320.25.NI	Natural Iron	-	24	15	30
B TKNB320.38.NI	Natural Iron	-	35	15	45
C TDP320.64.NI	Natural Iron	64	88	32	31

Part No.	Finish	HC	OA	W	P
D TPL320.96.NI	Natural Iron	96	129	18	39
E TPL320.128.NI	Natural Iron	128	160	18	39
F TPL320.160.NI	Natural Iron	160	190	18	39

HC = Hole centre OA = Overall length W = Width P = Projection

© Copyright 2015 All Rights Reserved. Specifications subject to change without notice.

MOMO
HANDLES



Cian - Aged Antique Brass

- Material: Cast Iron

Part No.	Finish	HC	OA	W	P
A TKNB320.25.AAB	Aged Antique Brass	-	24	15	30
B TKNB320.38.AAB	Aged Antique Brass	-	35	15	45
C TDP320.64.AAB	Aged Antique Brass	64	88	32	31

Part No.	Finish	HC	OA	W	P
D TPL320.96.AAB	Aged Antique Brass	96	129	18	39
E TPL320.128.AAB	Aged Antique Brass	128	160	18	39
F TPL320.160.AAB	Aged Antique Brass	160	190	18	39

HC = Hole centre OA = Overall length W = Width P = Projection

© Copyright 2015 All Rights Reserved. Specifications subject to change without notice.



Emma - Natural Iron

- Material: Cast Iron

Part No.	Finish	HC	OA	W	P
A TKNB230.35.NI	Natural Iron	-	35	18	26
B TKNB230.58.NI	Natural Iron	32	58	18	26
C TPB230.96.NI	Natural Iron	96	130	18	26
D TPB230.128.NI	Natural Iron	128	162	18	26
E TPB230.160.NI	Natural Iron	160	195	18	26

◆ = Not pictured HC = Hole centre OA = Overall length W = Width P = Projection

Part No.	Finish	HC	OA	W	P
F TPB230.192.NI	Natural Iron	192	226	18	26
G TPB230.224.NI	Natural Iron	224	262	18	26
H TPB230.320.NI	Natural Iron	320	355	18	26
◆ TPB230.457.NI	Natural Iron	457	495	18	26

© Copyright 2015 All Rights Reserved. Specifications subject to change without notice.



Emma - Aged Antique Brass

- Material: Cast Iron

Part No.	Finish	HC	OA	W	P
A TKNB230.35.AAB	Aged Antique Brass	-	35	18	26
B TKNB230.58.AAB	Aged Antique Brass	32	58	18	26
C TPB230.96.AAB	Aged Antique Brass	96	130	18	26
D TPB230.128.AAB	Aged Antique Brass	128	162	18	26
E TPB230.160.AAB	Aged Antique Brass	160	195	18	26

◆ = Not pictured HC = Hole centre OA = Overall length W = Width P = Projection

© Copyright 2015 All Rights Reserved. Specifications subject to change without notice.

MOMO HANDLES



Valencia

- Material: Cast Iron

Part No.	Finish	HC	OA	W	P
A TC3257.34.PW	Pewter	-	34	34	25
B TC3257.50.PW	Pewter	-	49	49	32
C TC3853.64.PW	Pewter	64	107	35	26
D TC3853.96.PW	Pewter	96	141	35	26
E TC3853.128.PW	Pewter	128	172	35	26

Part No.	Finish	HC	OA	W	P
F TC3853.160.PW	Pewter	160	204	35	26
G TC3853.203.PW	Pewter	203	250	35	26
♦ TC3853.305.PW	Pewter	305	357	35	26
♦ TC3853.457.PW	Pewter	457	518	35	26

♦ = Not pictured HC = Hole centre OA = Overall length W = Width P = Projection

© Copyright 2015 All Rights Reserved. Specifications subject to change without notice.

MOMO HANDLES



Vibes

- Material: Cast Iron

Part No.	Finish	HC	OA	W	P
A TPL140.96.NI	Natural Iron	96	105	20	30
B TPL140.128.NI	Natural Iron	128	134	20	30
C TPL140.160.NI	Natural Iron	160	170	20	30

HC = Hole centre OA = Overall length W = Width P = Projection

© Copyright 2015 All Rights Reserved. Specifications subject to change without notice.

MOMO HANDLES



Iron Bridge

- Material: Cast Iron

Part No.	Finish	HC	OA	W	P
A TKNB120.32.NI	Natural Iron	-	32 Ø	-	21
B TKNB120.128.NI	Natural Iron	128	137	18	27
C TKNB120.203.NI	Natural Iron	203	211	18	30
D TKNB120.305.NI	Natural Iron	305	311	18	30

HC = Hole centre OA = Overall length W = Width P = Projection Ø = Diameter

© Copyright 2015 All Rights Reserved. Specifications subject to change without notice.

© Copyright 2015 All Rights Reserved. Specifications subject to change without notice.

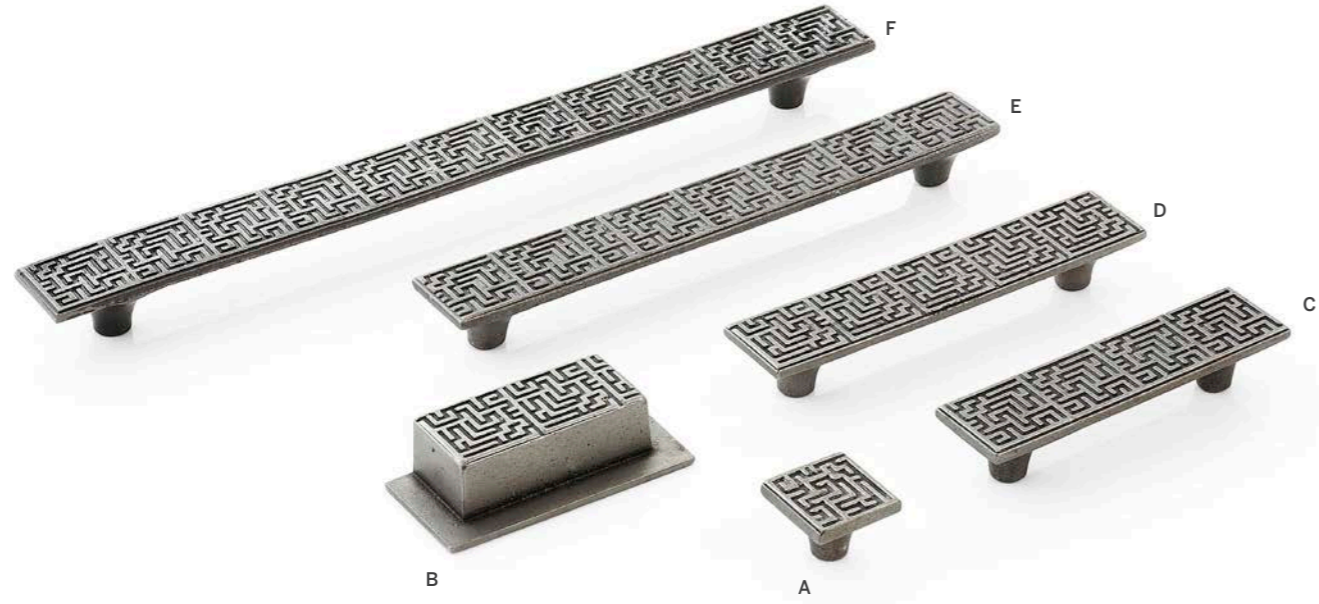


Tomi handles pictured - see page 12

Momo Handles - Traditional Collection • Cast Iron Collection

Momo Handles - Traditional Collection • Cast Iron Collection

MOMO HANDLES



Maze

- Material: Cast Iron

Part No.	Finish	HC	OA	W	P
A TKNB260.35.NI	Natural Iron	-	35	35	25
B TDP260.64.NI	Natural Iron	64	103	45	26
C TPL260.96.NI	Natural Iron	96	135	35	26

Part No.	Finish	HC	OA	W	P
D TPL260.128.NI	Natural Iron	128	167	35	26
E TPL260.203.NI	Natural Iron	203	247	35	26
F TPL260.305.NI	Natural Iron	305	380	35	26

HC = Hole centre OA = Overall length W = Width P = Projection

MOMO HANDLES



Fence

- Material: Cast Iron

Part No.	Finish	HC	OA	W	P
A TKNB250.50.NI	Natural Iron	-	50 Ø	-	30
B TKNB250.33.NI	Natural Iron	-	33 Ø	-	30
C TKNB250.25.NI	Natural Iron	-	25 Ø	-	30
D TPL250.96.NI	Natural Iron	96	120	23	30

Part No.	Finish	HC	OA	W	P
E TPL250.64.NI	Natural Iron	64	87	23	30
F TRTKNB250.50.NI	Natural Iron	-	58	45	33
G TRTKNB250.32.NI	Natural Iron	-	50	35	33

HC = Hole centre OA = Overall length W = Width P = Projection Ø = Diameter

© Copyright 2015 All Rights Reserved. Specifications subject to change without notice.

© Copyright 2015 All Rights Reserved. Specifications subject to change without notice.

MOMO HANDLES



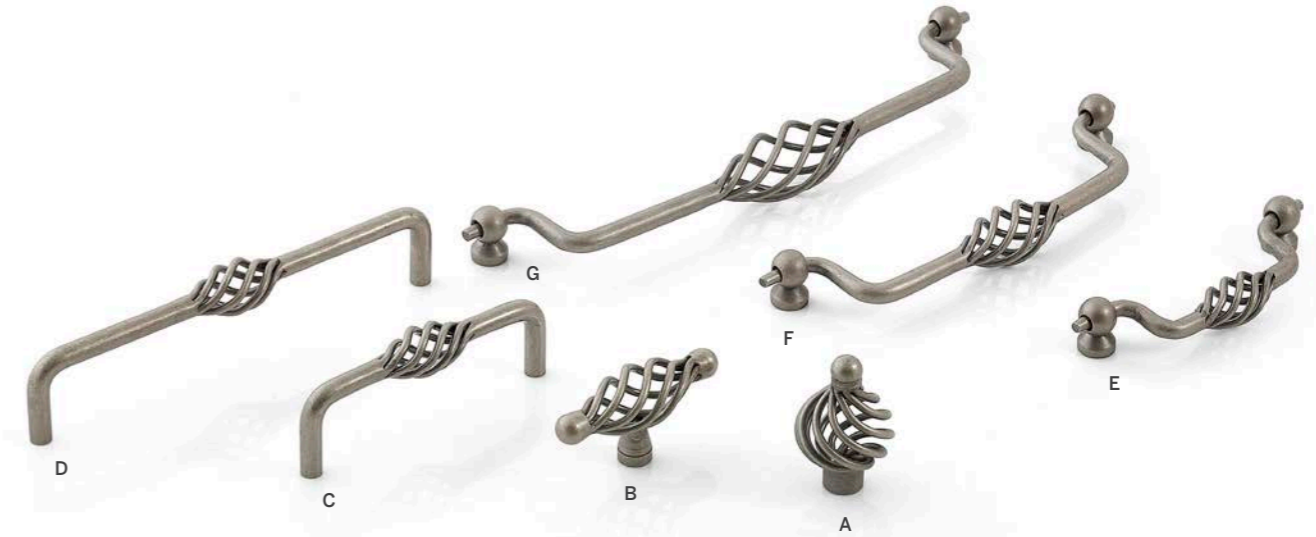
Varese - Black

- Material: Wrought Iron

Part No.	Finish	HC	OA	W	P	Part No.	Finish	HC	OA	W	P		
A	BVRK35.BL	Black	-	35 Ø	-	50	D	BVD160.BL	Black	160	168	20	39
♦	BVK50.BL	Black	-	51	20	34	E	BVS96.BL	Black	96	116	52	22
B	BVK70.BL	Black	-	69	22	37	♦	BVS128.BL	Black	128	150	52	23
♦	BVK90.BL	Black	-	90	31	52	F	BVS160.BL	Black	160	180	52	24
C	BVD96.BL	Black	96	104	20	39	♦	BVS192.BL	Black	192	215	52	24
♦	BVD128.BL	Black	128	137	20	39	G	BVS224.BL	Black	224	248	52	28

♦ = Not pictured HC = Hole centre OA = Overall length W = Width P = Projection Ø = Diameter

MOMO HANDLES



Varese - Pewter

- Material: Wrought Iron

Part No.	Finish	HC	OA	W	P	Part No.	Finish	HC	OA	W	P		
A	BVRK35.PW	Pewter	-	35 Ø	-	50	D	BVD160.PW	Pewter	160	168	20	39
♦	BVK50.PW	Pewter	-	51	20	34	E	BVS96.PW	Pewter	96	116	52	22
B	BVK70.PW	Pewter	-	69	22	37	♦	BVS128.PW	Pewter	128	150	52	23
♦	BVK90.PW	Pewter	-	90	31	52	F	BVS160.PW	Pewter	160	180	52	24
C	BVD96.PW	Pewter	96	104	20	39	♦	BVS192.PW	Pewter	192	215	52	24
♦	BVD128.PW	Pewter	128	137	20	39	G	BVS224.PW	Pewter	224	248	52	28

♦ = Not pictured HC = Hole centre OA = Overall length W = Width P = Projection Ø = Diameter

© Copyright 2015 All Rights Reserved. Specifications subject to change without notice.

© Copyright 2015 All Rights Reserved. Specifications subject to change without notice.

MOMO HANDLES



Varese - Antique Brass

- Material: Wrought Iron

Part No.	Finish	HC	OA	W	P	
A	BVRK35.AB	Antique Brass	-	35 Ø	-	50
B	BVK70.AB	Antique Brass	-	69	22	37
C	BVD96.AB	Antique Brass	96	104	20	39
D	BVS128.AB	Antique Brass	128	150	52	23

HC = Hole centre OA = Overall length W = Width P = Projection Ø = Diameter

MOMO HANDLES



Rivoli

- Material: Porcelain & Zinc Alloy

Part No.	Finish	Ø	P
A	T3109.AB	Antique Brass	30 22
B	T3109.EPW	European Pewter	30 22
C	T3110.AB	Antique Brass	35 22
D	T3110.EPW	European Pewter	35 22

Ø = Diameter P = Projection

© Copyright 2015 All Rights Reserved. Specifications subject to change without notice.

© Copyright 2015 All Rights Reserved. Specifications subject to change without notice.

MOMO
HANDLES



Sovereign - Pewter

- Material: Zinc Alloy

Part No.	Finish	HC	OA	W	P
A T85.085.PW	Pewter	-	89	79	36
B T85.038.PW	Pewter	-	37	37	24
C T85.050.PW	Pewter	-	50	21	24

Part No.	Finish	HC	OA	W	P
D T85.064.PW	Pewter	64	100	35	25
E T85.128.PW	Pewter	128	165	32	28
F T85.160.PW	Pewter	160	198	32	28

HC = Hole centre OA = Overall length W = Width P = Projection

MOMO
HANDLES



Sovereign - Antique Brass

- Material: Zinc Alloy

Part No.	Finish	HC	OA	W	P
A T85.085.AB	Antique Brass	-	89	79	36
B T85.038.AB	Antique Brass	-	37	37	24
C T85.050.AB	Antique Brass	-	50	21	24

Part No.	Finish	HC	OA	W	P
D T85.064.AB	Antique Brass	64	100	35	25
E T85.128.AB	Antique Brass	128	165	32	28
F T85.160.AB	Antique Brass	160	198	32	28

HC = Hole centre OA = Overall length W = Width P = Projection

© Copyright 2015 All Rights Reserved. Specifications subject to change without notice.

© Copyright 2015 All Rights Reserved. Specifications subject to change without notice.

MOMO HANDLES

MOMO HANDLES



Royale - Pewter

- Material: Zinc Alloy

Part No.	Finish	HC	OA	W	P
A T89.070.PW	Pewter	-	70	28	24
B T89.064.PW	Pewter	64	97	53	24
C T89.096.PW	Pewter	96	138	28	26

HC = Hole centre OA = Overall length W = Width P = Projection

Royale - Antique Brass

- Material: Zinc Alloy

Part No.	Finish	HC	OA	W	P
A T89.070.AB	Antique Brass	-	70	28	24
B T89.064.AB	Antique Brass	64	97	53	24
C T89.096.AB	Antique Brass	96	138	28	26

HC = Hole centre OA = Overall length W = Width P = Projection

© Copyright 2015 All Rights Reserved. Specifications subject to change without notice.

© Copyright 2015 All Rights Reserved. Specifications subject to change without notice.

MOMO HANDLES



Castella - Pewter

- Material: Zinc Alloy

Part No.	Finish	HC	OA	W	P
A CTRP.PW	Pewter	76	138	21	25
B CTCR.PW	Pewter	64	104	29	25
C CTCK.PW	Pewter	-	33 Ø	-	26
D CTMK.PW	Pewter	-	29 Ø	-	33

HC = Hole centre OA = Overall length W = Width P = Projection Ø = Diameter

MOMO HANDLES



Castella - Charcoal

- Material: Zinc Alloy

Part No.	Finish	HC	OA	W	P
A CTRP.CH	Charcoal	76	138	21	25
B CTCR.CH	Charcoal	64	104	29	25
C CTCK.CH	Charcoal	-	33 Ø	-	26
D CTMK.CH	Charcoal	-	29 Ø	-	33

HC = Hole centre OA = Overall length W = Width P = Projection Ø = Diameter

© Copyright 2015 All Rights Reserved. Specifications subject to change without notice.

© Copyright 2015 All Rights Reserved. Specifications subject to change without notice.

MOMO
HANDLES



Castella - Antique Brass

- Material: Zinc Alloy

Part No.	Finish	HC	OA	W	P
A CTRP.AB	Antique Brass	76	138	21	25
B CTCP.AB	Antique Brass	64	104	29	25
C CTCK.AB	Antique Brass	-	33 Ø	-	26
D CTMK.AB	Antique Brass	-	29 Ø	-	33

HC = Hole centre OA = Overall length W = Width P = Projection Ø = Diameter

MOMO
HANDLES



Castella
Brushed Nickel & Chrome Plated

- Material: Zinc Alloy

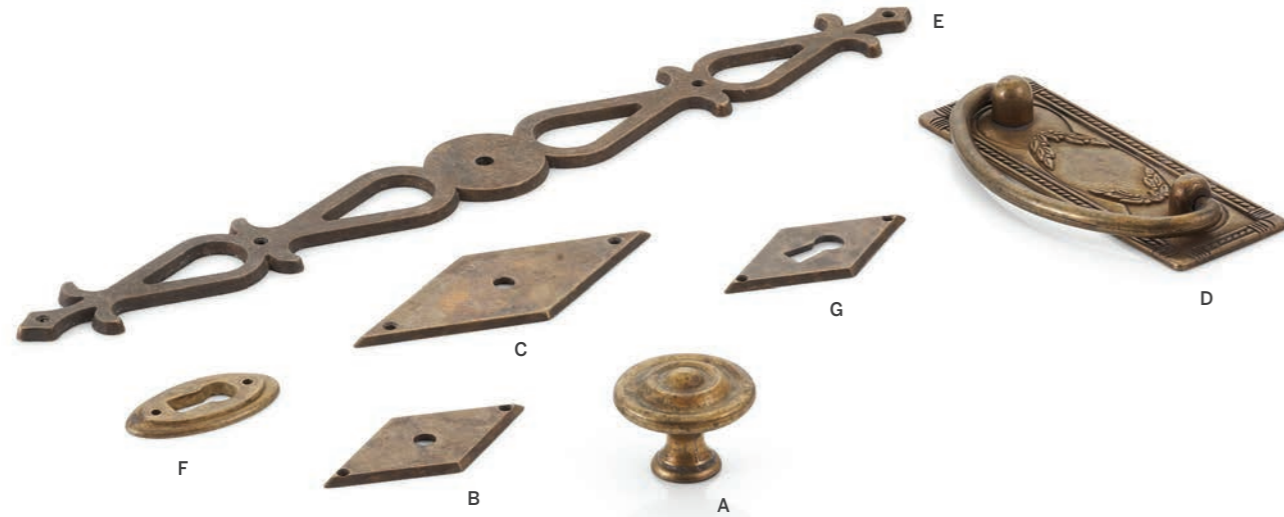
Part No.	Finish	HC	OA	W	P
A CTMK.BRN	Brushed Nickel	-	29 Ø	-	33
B CTCP.BRN	Brushed Nickel	64	104	29	25
C CTCP.CP	Chrome Plated	64	104	29	25

HC = Hole centre OA = Overall length W = Width P = Projection Ø = Diameter

© Copyright 2015 All Rights Reserved. Specifications subject to change without notice.

© Copyright 2015 All Rights Reserved. Specifications subject to change without notice.

MOMO HANDLES



Metallo

- Material: MAK – Spun Brass
- Material: MBP, MEP & MRH – Zinc Alloy

Part No.	Finish	HC	OA	W	P
A MAK30.AP	Antique Patinated	-	30 Ø	-	21
B MBPS.AP	Antique Patinated	-	55	27	2
C MBPL.AP	Antique Patinated	-	85	35	2
D MSB.AP	Antique Patinated	64	96	47	11

Part No.	Finish	HC	OA	W	P
E MEPL.AP	Antique Patinated	-	255	30	3
F MRKE.AP	Antique Patinated	-	37	20	3
G MKES.AP	Antique Patinated	-	54	28	2

HC = Hole centre OA = Overall length W = Width P = Projection Ø = Diameter

© Copyright 2015 All Rights Reserved. Specifications subject to change without notice.

© Copyright 2015 All Rights Reserved. Specifications subject to change without notice.



Risdon handles pictured - see page 42

MOMO
HANDLES



Kansas - Antique Cream

- Material: Zinc Alloy

Part No.	Finish	HC	OA	W	P
A T114.ACR	Antique Cream	-	35	16	24
B T226.024.ACR	Antique Cream	-	25	25	22
C T214.096.ACR	Antique Cream	96	126	18	24
D T214.128.ACR	Antique Cream	128	165	18	24

Part No.	Finish	HC	OA	W	P
E T226.096.ACR	Antique Cream	96	114	18	22
F T226.128.ACR	Antique Cream	128	145	18	22
G T226.192.ACR	Antique Cream	192	210	18	22

HC = Hole centre OA = Overall length W = Width P = Projection

MOMO
HANDLES



Kansas - Antique Aqua

- Material: Zinc Alloy

Part No.	Finish	HC	OA	W	P
A T114.AAQ	Antique Aqua	-	35	16	24
B T226.024.AAQ	Antique Aqua	-	25	25	22
C T214.096.AAQ	Antique Aqua	96	126	18	24
D T214.128.AAQ	Antique Aqua	128	165	18	24

Part No.	Finish	HC	OA	W	P
E T226.096.AAQ	Antique Aqua	96	114	18	22
F T226.128.AAQ	Antique Aqua	128	145	18	22
G T226.192.AAQ	Antique Aqua	192	210	18	22

HC = Hole centre OA = Overall length W = Width P = Projection

© Copyright 2015 All Rights Reserved. Specifications subject to change without notice.

© Copyright 2015 All Rights Reserved. Specifications subject to change without notice.

MOMO HANDLES



Pineta

- Material: Zinc Alloy

Part No.	Finish	HC	OA	W	P
A DC5059.HPAB	Hand Polished Antique Brass	-	54	20	21
B DC2025.25.HPAB	Hand Polished Antique Brass	-	25 Ø	-	22
C DC2025.30.HPAB	Hand Polished Antique Brass	-	30 Ø	-	25

HC = Hole centre OA = Overall length W = Width P = Projection Ø = Diameter

MOMO HANDLES



Risdon
Hand Polished Antique English

- Material: Zinc Alloy

Part No.	Finish	HC	OA	W	P
A DC013.HPAE	Hand Polished Antique English	-	55	45	18
B DC012.HPAE	Hand Polished Antique English	-	44	35	15
C DC149.HPAE	Hand Polished Antique English	-	48	37	14

HC = Hole centre OA = Overall length W = Width P = Projection

© Copyright 2015 All Rights Reserved. Specifications subject to change without notice.

© Copyright 2015 All Rights Reserved. Specifications subject to change without notice.

MOMO HANDLES



Risdon - Black

- Material: Zinc Alloy

Part No.	Finish	HC	OA	W	P
A DC012.BL	Black	-	44	35	15
B DC013.BL	Black	-	55	45	18
C DC396.BL	Black	64	99	42	22
D DC3237.BL	Black	96	110	14	28

HC = Hole centre OA = Overall length W = Width P = Projection

© Copyright 2015 All Rights Reserved. Specifications subject to change without notice.

© Copyright 2015 All Rights Reserved. Specifications subject to change without notice.



Risdon handles pictured - see page 42

MOMO HANDLES

Part No.	Range Name	Page	Part No.	Range Name	Page
♦ BVD128.BL	Varese - Black	24	E BVS96.BL	Varese - Black	24
♦ BVD128.PW	Varese - Pewter	25	E BVS96.PW	Varese - Pewter	25
D BVD160.BL	Varese - Black	24	C CTCK.AB	Castella - Antique Brass	34
D BVD160.PW	Varese - Pewter	25	C CTCK.CH	Castella - Charcoal	33
C BVD96.AB	Varese - Antique Brass	26	C CTCK.PW	Castella - Pewter	32
C BVD96.BL	Varese - Black	24	B CTCP.AB	Castella - Antique Brass	34
C BVD96.PW	Varese - Pewter	25	B CTCP.BRN	Castella Brushed Nickel & Chrome Plated	35
♦ BVK50.BL	Varese - Black	24	B CTCP.CH	Castella - Charcoal	33
♦ BVK50.PW	Varese - Pewter	25	C CTCP.CP	Castella Brushed Nickel & Chrome Plated	35
B BVK70.AB	Varese - Antique Brass	26	B CTCP.PW	Castella - Pewter	32
B BVK70.BL	Varese - Black	24	D CTMK.AB	Castella - Antique Brass	34
B BVK70.PW	Varese - Pewter	25	A CTMK.BRN	Castella Brushed Nickel & Chrome Plated	35
♦ BVK90.BL	Varese - Black	24	D CTMK.CH	Castella - Charcoal	33
♦ BVK90.PW	Varese - Pewter	25	D CTMK.PW	Castella - Pewter	32
A BVRK35.AB	Varese - Antique Brass	26	A CTRP.AB	Castella - Antique Brass	34
A BVRK35.BL	Varese - Black	24	A CTRP.CH	Castella - Charcoal	33
A BVRK35.PW	Varese - Pewter	25	A CTRP.PW	Castella - Pewter	32
D BVS128.AB	Varese - Antique Brass	26	A DC012.BL	Risdon - Black	42
♦ BVS128.BL	Varese - Black	24	B DC012.HPAE	Risdon - Hand Polished Antique English	41
♦ BVS128.PW	Varese - Pewter	25	B DC013.BL	Risdon - Black	42
E BVS160.AB	Varese - Antique Brass	26	A DC013.HPAE	Risdon - Hand Polished Antique English	41
F BVS160.BL	Varese - Black	24	C DC149.HPAE	Risdon - Hand Polished Antique English	41
F BVS160.PW	Varese - Pewter	25	B DC2025.25.HPAB	Pineta	40
F BVS192.AB	Varese - Antique Brass	26	C DC2025.30.HPAB	Pineta	40
♦ BVS192.BL	Varese - Black	24	D DC2025.35.HPAB	Pineta	40
♦ BVS192.PW	Varese - Pewter	25	D DC3237.BL	Risdon - Black	42
G BVS224.AB	Varese - Antique Brass	26	D DC3237.HPAE	Risdon - Hand Polished Antique English	41
G BVS224.BL	Varese - Black	24	F DC395.HPAE	Risdon - Hand Polished Antique English	41
G BVS224.PW	Varese - Pewter	25	C DC396.BL	Risdon - Black	42

© Copyright 2015 All Rights Reserved. Specifications subject to change without notice.

MOMO HANDLES

Part No.	Range Name	Page	Part No.	Range Name	Page
E DC396.HPAE	Risdon - Hand Polished Antique English	41	A T114.AAQ	Kansas - Antique Aqua	39
F DC5042.B.HPAB	Pineta	40	A T114.ACR	Kansas - Antique Cream	38
E DC5046.B.HPAB	Pineta	40	C T214.096.AAQ	Kansas - Antique Aqua	39
A DC5059.HPAB	Pineta	40	C T214.096.ACR	Kansas - Antique Cream	38
D GB128.EPWBR	Limpopo - Dark Brown	10	D T214.128.AAQ	Kansas - Antique Aqua	39
D GB128.NPBL	Limpopo - Black	11	D T214.128.ACR	Kansas - Antique Cream	38
A GB34.EPWBR	Limpopo - Dark Brown	10	B T226.024.AAQ	Kansas - Antique Aqua	39
A GB34.NPBL	Limpopo - Black	11	B T226.024.ACR	Kansas - Antique Cream	38
B GB39.EPWBR	Limpopo - Dark Brown	10	E T226.096.AAQ	Kansas - Antique Aqua	39
B GB39.NPBL	Limpopo - Black	11	E T226.096.ACR	Kansas - Antique Cream	38
C GB96.EPWBR	Limpopo - Dark Brown	10	F T226.128.AAQ	Kansas - Antique Aqua	39
C GB96.NPBL	Limpopo - Black	11	F T226.128.ACR	Kansas - Antique Cream	38
B H4016.WHCRAB	Porcellino	7	G T226.192.AAQ	Kansas - Antique Aqua	39
A H4017.WHCR	Porcellino	7	G T226.192.ACR	Kansas - Antique Cream	38
C H4018.WHCRAB	Porcellino	7	A T3109.AB	Rivoli	27
D H4019.WHCRAB	Porcellino	7	B T3109.EPW	Rivoli	27
B HMC096.BRN	Hampton - Brushed Nickel	2	C T3110.AB	Rivoli	27
B HMC096.CP	Hampton - Chrome Plated	3	D T3110.EPW	Rivoli	27
C HMD160.BRN	Hampton - Brushed Nickel	2	E T3112.AB	Rivoli	27
C HMD160.CP	Hampton - Chrome Plated	3	G T822.WH	Rivoli	27
A HMK032.BRN	Hampton - Brushed Nickel	2	F T824.WHAB	Rivoli	27
A HMK032.CP	Hampton - Chrome Plated	3	B T85.038.AB	Sovereign - Antique Brass	29
A MAK30.AP	Metallo	36	B T85.038.PW	Sovereign - Pewter	28
C MBPL.AP	Metallo	36	C T85.050.AB	Sovereign - Antique Brass	29
B MBPS.AP	Metallo	36	C T85.050.PW	Sovereign - Pewter	28
E MEPL.AP	Metallo	36	D T85.064.AB	Sovereign - Antique Brass	29
G MKES.AP	Metallo	36	D T85.064.PW	Sovereign - Pewter	28
F MRKE.AP	Metallo	36	A T85.085.AB	Sovereign - Antique Brass	29
D MSB.AP	Metallo	36	A T85.085.PW	Sovereign - Pewter	28

© Copyright 2015 All Rights Reserved. Specifications subject to change without notice.

MOMO HANDLES

Part No.	Range Name	Page	Part No.	Range Name	Page
E T85.128.AB	Sovereign - Antique Brass	29	D TCM3623.224.WHBRN	Trianon - White & Brushed Nickel	6
E T85.128.PW	Sovereign - Pewter	28	D TCM3623.224.WHCRPW	Trianon - White Crackle & Pewter	5
F T85.160.AB	Sovereign - Antique Brass	29	E TCM3623.320.CRCRAB	Trianon - Cream Crackle & Antique Brass	4
F T85.160.PW	Sovereign - Pewter	28	E TCM3623.320.WHBRN	Trianon - White & Brushed Nickel	6
B T89.064.AB	Royale - Antique Brass	31	E TCM3623.320.WHCRPW	Trianon - White Crackle & Pewter	5
B T89.064.PW	Royale - Pewter	30	C TDH280.128.NI	Tomi	12
A T89.070.AB	Royale - Antique Brass	31	B TDP260.64.NI	Maze	22
A T89.070.PW	Royale - Pewter	30	C TDP320.64.AAB	Cian - Aged Antique Brass	15
C T89.096.AB	Royale - Antique Brass	31	C TDP320.64.NI	Cian - Natural Iron	14
C T89.096.PW	Royale - Pewter	30	D TDRH280.224.NI	Tomi	12
A TC3257.34.PW	Valencia	18	E TDRH280.320.NI	Tomi	12
B TC3257.50.PW	Valencia	18	A TJ3738.34.PW	Crosby	13
E TC3853.128.PW	Valencia	18	B TJ3738.38.PW	Crosby	13
F TC3853.160.PW	Valencia	18	C TJ3739.PW	Crosby	13
G TC3853.203.PW	Valencia	18	E TJ3740.224.PW	Crosby	13
♦ TC3853.305.PW	Valencia	18	F TJ3741.128.PW	Crosby	13
♦ TC3853.457.PW	Valencia	18	G TJ3741.224.PW	Crosby	13
C TC3853.64.PW	Valencia	18	H TJ3741.320.PW	Crosby	13
D TC3853.96.PW	Valencia	18	D TJ3742.64.PW	Crosby	13
A TCM3620.CRCRAB	Trianon - Cream Crackle & Antique Brass	4	B TKNB120.128.NI	Iron Bridge	20
A TCM3620.WHBRN	Trianon - White & Brushed Nickel	6	C TKNB120.203.NI	Iron Bridge	20
A TCM3620.WHCRPW	Trianon - White Crackle & Pewter	5	D TKNB120.305.NI	Iron Bridge	20
B TCM3621.CRCRAB	Trianon - Cream Crackle & Antique Brass	4	A TKNB120.32.NI	Iron Bridge	20
B TCM3621.WHBRN	Trianon - White & Brushed Nickel	6	A TKNB230.35.AAB	Emma - Aged Antique Brass	17
B TCM3621.WHCRPW	Trianon - White Crackle & Pewter	5	A TKNB230.35.NI	Emma - Natural Iron	16
C TCM3622.CRCRAB	Trianon - Cream Crackle & Antique Brass	4	B TKNB230.58.AAB	Emma - Aged Antique Brass	17
C TCM3622.WHBRN	Trianon - White & Brushed Nickel	6	B TKNB230.58.NI	Emma - Natural Iron	16
C TCM3622.WHCRPW	Trianon - White Crackle & Pewter	5	C TKNB250.25.NI	Fence	23
D TCM3623.224.CRCRAB	Trianon - Cream Crackle & Antique Brass	4	B TKNB250.33.NI	Fence	23

© Copyright 2015 All Rights Reserved. Specifications subject to change without notice.

MOMO HANDLES

Part No.	Range Name	Page	Part No.	Range Name	Page
A TKNB250.50.NI	Fence	23	D TPL250.96.NI	Fence	23
A TKNB260.35.NI	Maze	22	D TPL260.128.NI	Maze	22
A TKNB280.30.NI	Tomi	12	E TPL260.203.NI	Maze	22
A TKNB320.25.AAB	Cian - Aged Antique Brass	15	F TPL260.305.NI	Maze	22
A TKNB320.25.NI	Cian - Natural Iron	14	C TPL260.96.NI	Maze	22
B TKNB320.38.AAB	Cian - Aged Antique Brass	15	E TPL320.128.AAB	Cian - Aged Antique Brass	15
B TKNB320.38.NI	Cian - Natural Iron	14	E TPL320.128.NI	Cian - Natural Iron	14
C TM10.96.MOPEPW	Marbella	8	F TPL320.160.AAB	Cian - Aged Antique Brass	15
D TM22.96.MOPEPW	Marbella	8	F TPL320.160.NI	Cian - Natural Iron	14
B TP01.40.MOPEPW	Marbella	8	D TPL320.96.AAB	Cian - Aged Antique Brass	15
A TP04.32.MOPEPW	Marbella	8	D TPL320.96.NI	Cian - Natural Iron	14
D TPB230.128.AAB	Emma - Aged Antique Brass	17	G TRTKNB250.32.NI	Fence	23
D TPB230.128.NI	Emma - Natural Iron	16	F TRTKNB250.50.NI	Fence	23
E TPB230.160.AAB	Emma - Aged Antique Brass	17	B TTKNB280.90.NI	Tomi	12
E TPB230.160.NI	Emma - Natural Iron	16			
F TPB230.192.AAB	Emma - Aged Antique Brass	17			
F TPB230.192.NI	Emma - Natural Iron	16			
G TPB230.224.AAB	Emma - Aged Antique Brass	17			
G TPB230.224.NI	Emma - Natural Iron	16			
H TPB230.320.AAB	Emma - Aged Antique Brass	17			
H TPB230.320.NI	Emma - Natural Iron	16			
♦ TPB230.457.AAB	Emma - Aged Antique Brass	17			
♦ TPB230.457.NI	Emma - Natural Iron	16			
C TPB230.96.AAB	Emma - Aged Antique Brass	17			
C TPB230.96.NI	Emma - Natural Iron	16			
B TPL140.128.NI	Vibes	19			
C TPL140.160.NI	Vibes	19			
A TPL140.96.NI	Vibes	19			
E TPL250.64.NI	Fence	23			

© Copyright 2015 All Rights Reserved. Specifications subject to change without notice.



Momo Handles Contemporary Collection

Have you seen the full Furnware Dorset Catalogue Library?

The Furnware Dorset collection of seven books showcases our comprehensive and stunning range of cabinet hardware, and is the perfect way to simplify the decisions that go into creating your perfect kitchen.

Incorporating beautiful imagery, along with detailed product descriptions and diagrams, the Furnware Dorset Collection is the perfect tool to assist you in the decision making process.

To order the current Furnware Dorset retail catalogue library, please email info@furnwardorset.com.au or call us on 1300 123 700



Kitchen Waste Solutions



Deluxe Kitchen Storage by Vauth-Sagel



Kitchen & Home Storage Solutions



Cabinet Lighting Solutions



Sinks & Tapware

© Copyright 2015 All Rights Reserved. Specifications subject to change without notice.

© Copyright 2015 All Rights Reserved. Specifications subject to change without notice.

Phone: 1300 123 700
Fax: 1300 123 750
Email: info@furnwardorset.com.au
Web: www.furnwardorset.com.au

www.furnwardorset.com.au

Area Offices

VIC, SA & TAS

Office & Distribution Centre:
143 Allingham St, Golden Square VIC 3555
(PO Box 2290, Bendigo MC, VIC 3554)

NSW, ACT, QLD, NT & WA

Office: 18 Burns Road, Heathcote NSW 2233
Distribution Centre: 1-5 Jessica Place, Prestons NSW 2170
(PO Box 250, Engadine NSW 2233)

