

SERIES 350 Modular Coalescing Filters



Available Color Caps

Yellow
(standard)



Red
(optional)



Blue
(optional)



Grey
(optional)



Model Shown: FC5A350-3C1

SPECIFICATIONS

Ambient/Media Temperature:

Plastic Bowl, all drain types: 40° to 125°F (4° to 52°C).
Metal Bowl, manual drains: 40° to 175°F (4° to 79°C).
Metal Bowl, float drains: 40° to 150°F (4° to 66°C).

Body: Die-cast zinc.

Bowl: 5.1-Ounce (151-ml) capacity polycarbonate plastic with nylon shatterguard; optional 6.0 ounce (177-ml) aluminum bowl with clear nylon sight glass. Optional 10-ounce (300-ml) extended aluminum bowl with clear nylon sight glass and higher flow filter element.

Bowl Drain: Internal float drain; by removing the adjustment knob, a 3/16" (5mm) flexible tube can be connected to drain effluents. Optional manual drain.

Cap Color: Yellow, optional red, blue and grey.

Differential Pressure Gauge: A125-09

Filter Element: 0.3- μ m-rated borosilicate-glass-fiber; optional 0.01- μ m-rated element (reduces flow by 20%).

Fluid Media: Compressed air.

Inlet Pressure:

Plastic bowl & manual drain: 0-150 psig (0-10 bar).
Plastic bowl & Float drain: 30-150 psig (2-10 bar).
Metal bowl & manual drain: 0-250 psig (0-17 bar).
Metal bowl & Float drain: 30-200 psig (2-14 bar).

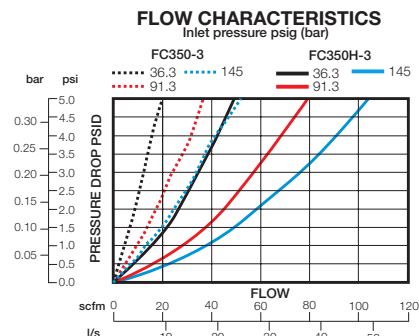
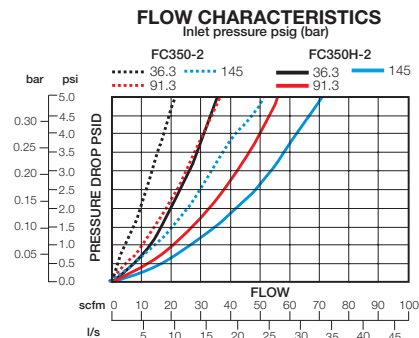
Seals: Nitrile.

FC350 Models Port Sizes: 1/4, 3/8, 1/2

- ◆ Modular or inline mounting.
- ◆ Designed to remove particulate material 99.98% of free oils and solid contaminants 0.3 microns and larger.
- ◆ Optional 0.01- μ m-rated element.
- ◆ Removal of effluents via manual or automatic drains.
- ◆ Inlet pressure rated at 250 psig (17 bar) with metal bowls up to 175°F (79°C).
- ◆ Color caps available for visual management systems. (Blue, red, yellow and grey). Consult factory for custom colors.
- ◆ Front mounted modular clamping design with encapsulated screws.
- ◆ Compatible with modular 380 series of products.
- ◆ Coalescent elements are absolute rated.
- ◆ Polycarbonate plastic bowl with shatterguard. Optional metal bowl.
- ◆ Differential pressure gauge to indicate when filter element needs changing.
- ◆ NPTF port threads; optional BSPP threads.

APPLICATION NOTE: A general purpose filter must be installed ahead of a coalescing filter to ensure good performance and to extend the life of the coalescing element.

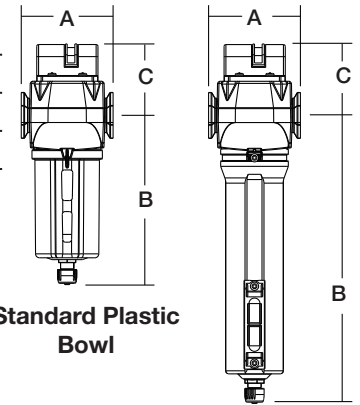
FLOW CHARTS



DIMENSIONS inches (mm)

Bowl	A	B †	C	Depth	Weight lb (kg)
Std plastic	3.0 (76.2)	5.54 (140.7)	2.33 (59.3)	2.51 (63.8)	1.30 (0.59)
Std metal	3.0 (76.2)	6.42 (163.1)	2.33 (59.3)	2.76 (70.1)	1.42 (0.65)
Ext metal	3.0 (76.2)	9.51 (241.6)	2.33 (59.3)	2.76 (70.1)	1.54 (0.70)

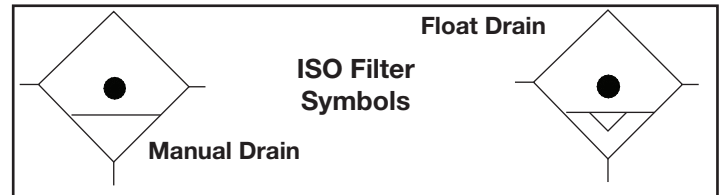
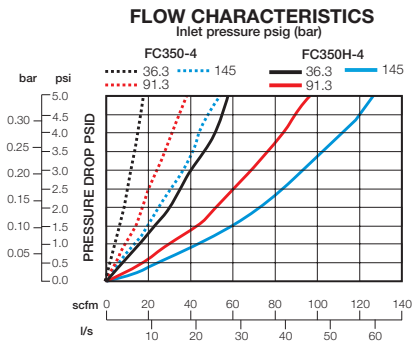
† **Bowl (standard) removal clearance:** add 3.1 (79)
 † **Bowl (extended) removal clearance:** add 6.1 (155)



REPLACEMENT FILTER ELEMENT KITS

Element Type	Kit Number
0.3 µm Standard for plastic bowl	A60F-23
0.3 µm Standard for metal bowl	A60F-29
0.3 µm Extended for metal bowl	A60F-32
0.01 µm Standard for plastic bowl	A60F-23E8
0.01 µm Standard for metal bowl	A60F-29E8
0.01 µm Extended metal bowl	A60F-32E8

Extended Metal Bowl



ORDERING INFORMATION

Change the letters in the sample model number below to specify the coalescing filter you want.

BFC 350 H S - 3 E8 W

BOWL AND DRAIN TYPE

- (Metal bowls contain a sight glass)
- Plastic bowl, manual drain FC
 - Metal bowl, manual drain BFC
 - Plastic bowl, internal float drain (**plastic stem**) ... FC5A
 - Metal bowl, internal float drain (**brass stem**) BFC6A

BOWL LENGTH

- Standard length Leave Blank
 - Extended bowl length H
- (Must be used with metal bowl option shown in **BOWL AND DRAIN TYPE**).

DIFFERENTIAL PRESSURE GAUGE

- No gauge (No gauge ports) Leave Blank
- Differential pressure gauge S

PORT TYPE

- NPTF threads Leave blank
- BSPB threads W

OPTIONS (More than one option can be chosen. Add in alphabetical order.)

Cap color:

- Yellow (standard) C1
- Red C2
- Mid blue C3
- Grey Leave Blank

Filter element: (borosilicate-glass-fiber)

- 0.3-µm rating Leave Blank
- 0.01-µm rating E8

PORT SIZE

- 1/4 NPTF 2
- 3/8 NPTF 3
- 1/2 NPTF 4