

Full-Size VANGUARD Modular Externally Piloted Regulators

PR100 Models Port Sizes: 1/4, 3/8, 1/2, 3/4



Model Shown: PR100-6G

- ◆ Modular or inline mounting.
- ◆ Self-relieving diaphragm design.
- ◆ Pressure gauge.
- ◆ NPTF port threads; optional BSPP threads.

Note: Pilot (control) regulators (order separately).

- ◆ General purpose applications order R56M-2, R60-2, R67-2, R100-2, or R380-3
- ◆ Precision applications order IR100-2, R57M-2, IR380-3 or ER valve

SPECIFICATIONS

Ambient/Media Temperature:

40° to 175°F (4° to 79°C).

Body: Zinc.

Dome: Zinc.

Fluid Media: Compressed air.

Inlet Pressure: 300 psig (21 bar) maximum.

Outlet Pressure: Adjustable 0 – 200 psig (0 – 14 bar).

Pilot Ports: 1/4 NPTF

Pressure Gauge: 0 to 200 psig (14 bar); 1/4 NPT gauge ports front and rear.

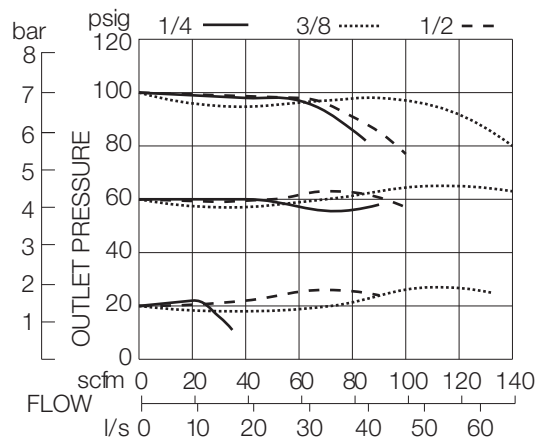
Seals: Nitrile.

Valve: Brass.

Valve Cap: Nylon.

FLOW CHARTS

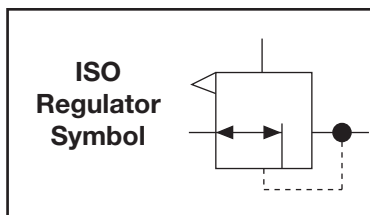
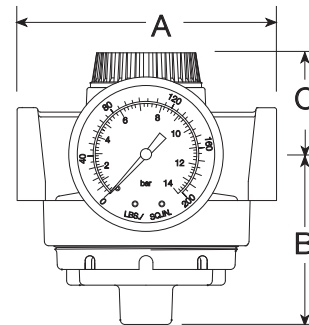
Inlet Pressure: 100 psig (7 bar)



DIMENSIONS inches (mm)

A	B	C	Depth †	Weight †
				lb (kg)
3.5 (89)	2.4 (62)	1.3 (33)	2.8 (71)	2.06 (0.92)

† Less gauge.



ORDERING INFORMATION

Change the letters in the sample model number below to specify the regulator you want.

NOTE: Order a pilot operator such as **R55-2**, **R56-2**, or **IR100-2** separately.

PR100 - 2 Y G W

PORT SIZE

- 1/4 NPTF..... 2
- 3/8 NPTF..... 3
- 1/2 NPTF..... 4
- 3/4 NPTF..... 6

PORT TYPE

- NPTF threads Leave Blank
- BSPP threads W

OPTION

- None Leave Blank
- 0-200 PSI Gauge G

OPTION

- None Leave Blank
- Non-relieving A

MOUNTING BRACKETS
See page 320.