

Full-Size VANGUARD Modular External Relief Piloted Regulator

PRH100 Models Port Sizes: 1/4, 3/8, 1/2, 3/4



Model Shown: PRH100-6G

SPECIFICATIONS

Ambient/Media Temperature:

40° to 175°F (4° to 79°C).

Body: Zinc.

Dome: Zinc.

Fluid Media: Compressed air.

Inlet Pressure: 300 psig (21 bar) maximum.

Outlet Pressure: Adjustable 0 – 200 psig (0 – 14 bar).

Pilot Ports: 1/4 NPTF

Pressure Gauge: 0 to 200 psig (14 bar); 1/4 NPT gauge ports front and rear.

Seals: Nitrile; optional Viton seals.

Valve: Brass.

Valve Cap: Nylon.

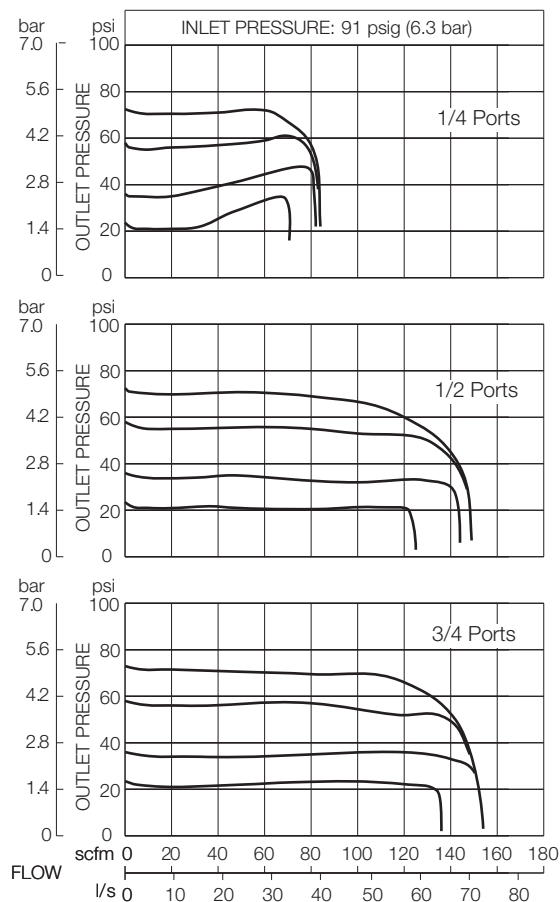
External relief piloted regulators separate control air from exhaust air.

- ◆ Modular or inline mounting.
- ◆ Diaphragm-type design.
- ◆ Self-relieving.
- ◆ Pressure gauge.
- ◆ **NPTF** port threads; optional **BSPP** threads.

Note: Pilot (control) regulators (order separately).

- ◆ General purpose applications order R56M-2, R60-2, R67-2, R100-2, or R380-3
- ◆ Precision applications order IR100-2, R57M-2, IR380-3 or ER valve

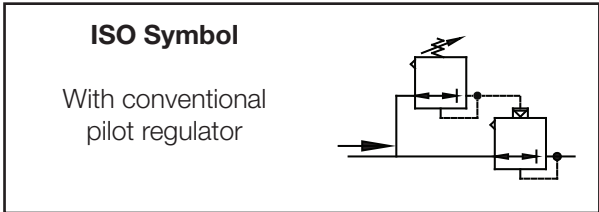
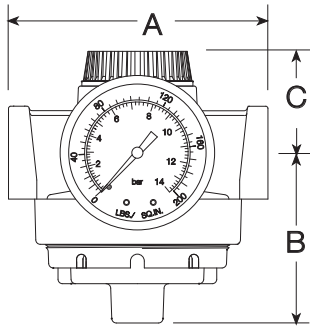
FLOW CHARTS



DIMENSIONS inches (mm)

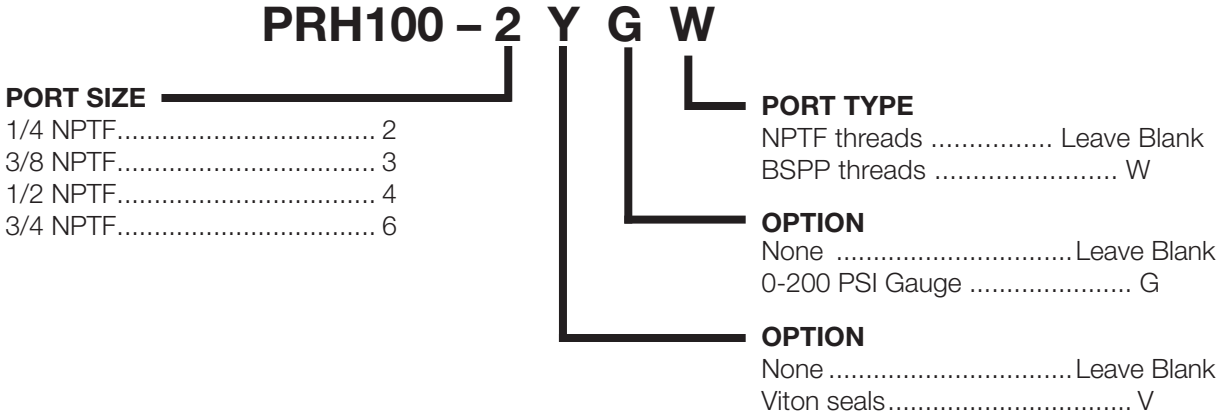
A	B	C	Depth †	Weight † lb (kg)
3.5 (89)	2.4 (62)	1.3 (33)	2.8 (71)	2.06 (0.92)

† Less gauge.



ORDERING INFORMATION

Change the letters in the sample model number below to specify the regulator you want.
NOTE: Order a pilot operator such as **R55-2**, **R56-2**, or **IR100-2** separately.



MOUNTING BRACKETS
See page 320.