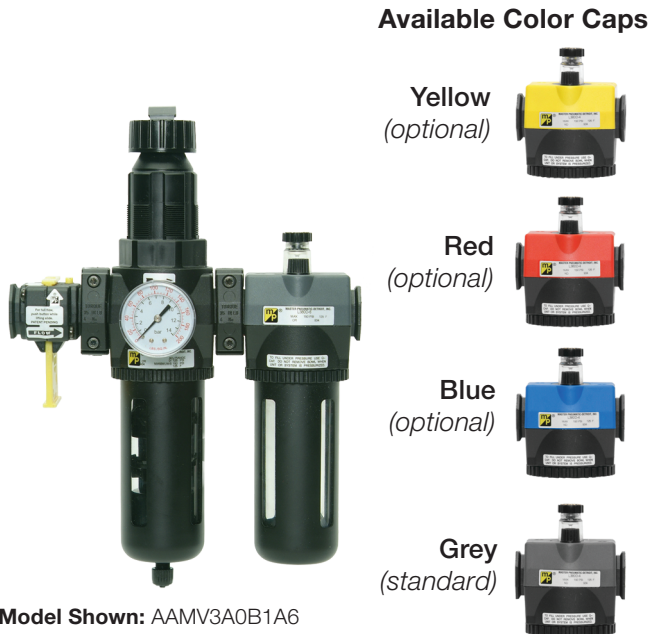


# Full-Size SERIES 380 FRLs Integral Filter/Regulators plus Lubricator

# AAMV3A0B1A1 Models Port Sizes: 3/8, 1/2, 3/4



Model Shown: AAMV3A0B1A6

### Available Color Caps

Yellow  
(optional)



Red  
(optional)



Blue  
(optional)



Grey  
(standard)



- ◆ Filter and regulator consolidated in a single assembly (CFDR380); sight-feed lubricator (L380D); lockout valve (V380).
- ◆ Modular or inline mounting.
- ◆ 5- $\mu$ m-rated polyethylene filter element; optional 40- $\mu$ m element.
- ◆ Aluminum bowls with clear nylon sight glass or polycarbonate plastic bowls with steel shatterguard.
- ◆ Internal automatic filter drain; optional manual drain, internal float drain, or Warrior electronic drain.
- ◆ Optional extended aluminum lubricator bowl with sight glasses.
- ◆ Self-relieving diaphragm-type regulator; non-relieving optional.
- ◆ Pressure gauge; two gauge ports.
- ◆ NPTF port threads; optional BSPP threads.

## SPECIFICATIONS

### Ambient/Media Temperature:

Metal bowls: 40° to 175°F (4° to 79°C).

Plastic bowls: 40° to 125°F (4° to 52°C).

**Bowls:** 9-Ounce (270-ml) capacity aluminum bowls with clear nylon sight glass or polycarbonate plastic bowls with steel shatterguard. Optional 15-ounce (450-ml) extended aluminum lubricator bowl with two clear nylon sight glasses.

**Cap Colors:** Filter/regulator, black only. Lubricator, accent grey; yellow, red, and blue optional.

**Filter Drain:** Internal automatic drain; optional manual drain, internal float drain, or Warrior electronic drain.

**Filter Element:** 5- $\mu$ m-rated polyethylene; optional 40- $\mu$ m element.

**Fluid Media:** Compressed air.

Heads: Zinc.

### Inlet Pressure:

Minimum: 15 psig (1 bar) with automatic drain, 30 psig (2 bar) with internal float drain.

Metal bowls: 200 psig (13.7 bar) maximum.

Plastic bowls: 150 psig (10 bar) maximum.

**Oil Adjustment:** External; tamper-resistant.

**Outlet Pressure:** Adjustable up to 125 psig (8.6 bar).

**Pressure Adjustment Locking Key:** Removable.

**Pressure Gauge:** 0 to 200 psig (14 bar); 1/4 NPT gauge ports front and rear.

**Regulator Valve:** Brass.

**Seals:** Nitrile.

**Sight Dome:** Clear nylon.

### AIR FLOW DATA

See Flow Charts for individual assembly components on preceding pages.

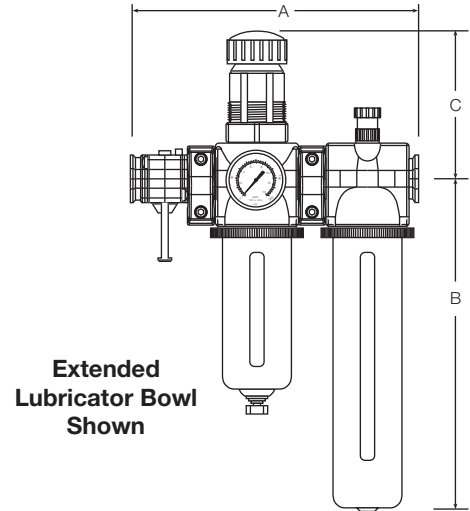
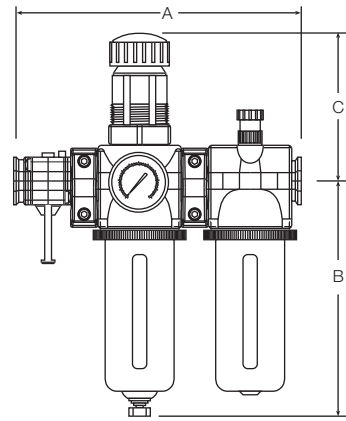
## DIMENSIONS inches (mm)

Bowl	A *	B **	C	Depth †	Weight †
					lb (kg)
Standard	9.6 (244)	7.7 (195)	5.4 (137)	2.9 (73)	5.81 (2.64)
Extended	9.5 (241)	10.6 (269)	5.4 (137)	2.9 (73)	6.00 (2.73)

\* Without V380 lockout valve deduct 2.3 (58) from dimension A.

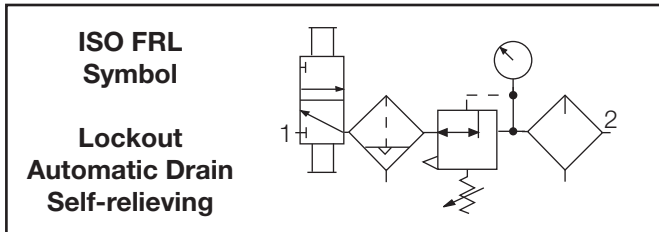
\*\* Bowl removal clearance: For 9-ounce plastic bowl add 4.2 (107).  
For 9-ounce metal bowl add 4.1 (104).  
For extended bowl add 6.1 (155).

† Less gauge.



## REPLACEMENT FILTER ELEMENT KITS

Element Type	Kit Number
5-µm (Std element)	A115-106PE5
40-µm bronze	A115-106PE3



## ORDERING INFORMATION

Change the letters in the sample model number below to specify the F/R + L you want.  
To order with some of the other available options, see Ordering Information on page 296.

**A A M V 3 A 0 B 1 A 1 3**

### LUBRICATOR CAP COLOR

Accent Grey (Std) .... A  
MP Yellow..... B  
Red ..... C  
Mid Blue..... D

### BOWL TYPE

Two 9-ounce plastic ..... A  
Two 9-ounce metal..... B  
9-Ounce metal on F/R and  
15-ounce on lubricator ... D

### LOCKOUT VALVE

None ..... Leave Blank  
V380 Valve ..... V

### FILTER/REGULATOR MODEL

CFR380 (0-125 psig and ..... 3  
5-µm element)  
CFR380-E3 (0-125 psig and ... 4  
40-µm element)  
CFR380-H (0-175 psig and .... 6 \*  
5-µm element)  
CFR380-L (0-50 psig and ..... 8  
5-µm element)

\* H option spring  
includes metal  
dome

### PORT SIZE

3/8 NPTF..... 3  
1/2 NPTF..... 4  
3/4 NPTF..... 6  
3/8 BSPP ..... C  
1/2 BSPP ..... D  
3/4 BSPP ..... E

### GAUGES

None ..... 0  
200-BDD (0-200 psig) ..... 1  
60BDD (0-60 psig)..... 2

### MOUNTING OPTIONS

No end ports ..... A  
Mounting brackets only ..... J  
Female ports and  
mounting brackets..... K

### FILTER DRAIN

Manual ..... 0  
Internal automatic..... 1  
Warrior electronic..... 2  
Internal float drain ..... 6

### LUBRICATOR

L380D ..... B  
L380D-Q (with quick-fill cap)..... C

Full-Size FRL's 380, AAMV3A0B1A13 Series