

VACUUM CUP FITTINGS



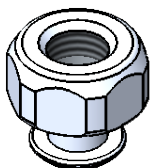
Ø 4-8 mm Cups



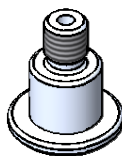
Ø 10-15 mm Cups



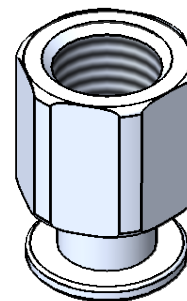
Ø 20-35 mm Cups



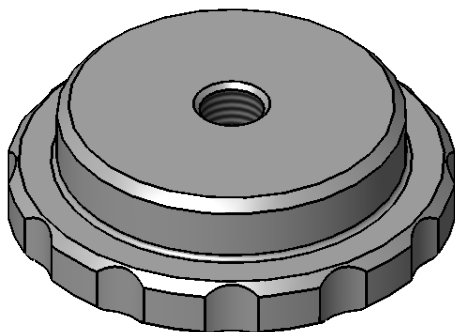
Ø 40 mm Cups



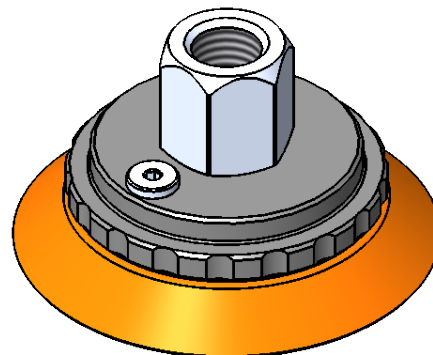
Ø 50 mm Cups



Ø 65 mm Cups



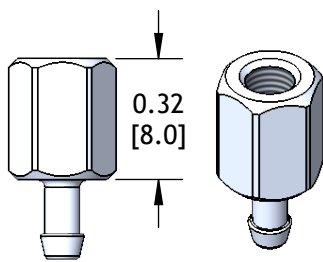
Ø 75 - 150 mm Cups



Accessories

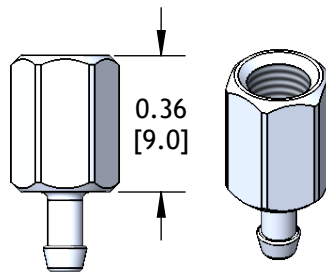
4 - 8 mm Cups	30
10 - 15 mm Cups	31
20 - 35 mm Cups	32
40 mm Cups	35
50 mm Cups	38
65mm Cups	41
75 - 150 mm Cups	42
Vacuum Cup Fitting Accessories	43

Ø 4-8 mm Cups - Standard



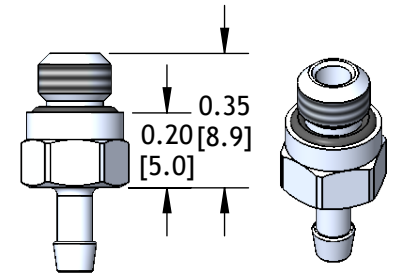
8-4F

Assembly Suffix:	-4F
Threads:	M4X0.7 Female
Thread Depth: in [mm]	0.23 [5.8]
Weight: oz [g]	0.04 [1.1]
Thru Hole: in [mm]	0.05 [1.3]
Hex Size: in [mm]	0.25 [6.4]
PE Filter:	N/A
SS Filter:	N/A



8-5F

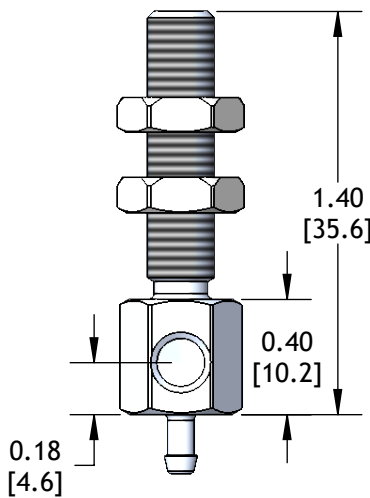
Assembly Suffix:	-5F
Threads:	M5X0.8 Female
Thread Depth: in [mm]	0.25 [6.4]
Weight: oz [g]	0.04 [1.1]
Thru Hole: in [mm]	0.06 [1.5]
Hex Size: in [mm]	0.31 [8.0]
PE Filter:	N/A
SS Filter:	N/A



8-10M

Assembly Suffix:	-10M
Threads:	10-32 Male
Weight: oz [g]	0.08 [2.3]
Thru Hole: in [mm]	0.06 [1.4]
Hex Size: in [mm]	0.25 [6.4]
PE Filter:	N/A
SS Filter:	N/A

Ø 4-8 mm Cups - Side Vacuum Port w/ Male Post

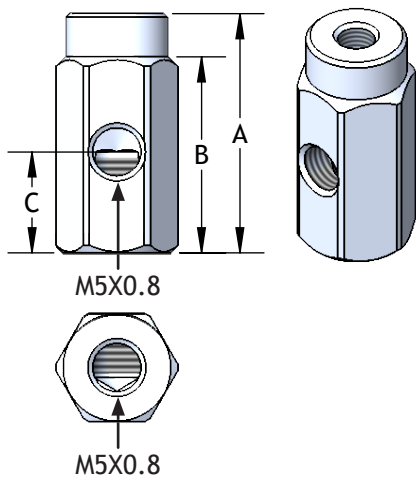


8-S5F-6M

Assembly Suffix:	-S5F-6M
Port Threads:	M5X0.8
Post Threads:	M6X1.0
Weight: oz [g]	0.22 [6.1]
Thru Hole: in [mm]	0.04 [1.0]
Hex Size: in [mm]	0.38 [9.5]
PE Filter:	N/A
SS Filter:	N/A

JN-M6X1.0 - Jam Nut - 2 Included

Ø 4-8 mm Cups - Side Vacuum Port w/ Female Port



Technical Data

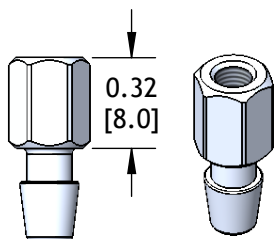
Fitting	Assembly Suffix	Weight oz [g]	Hex Size in [mm]	PE Filter	SS Filter
5F-S5F-4F	-S5F-4F	0.13 [3.7]	0.38 [9.5]	N/A	N/A
5F-S5F-5F	-S5F-5F	0.13 [3.7]	0.38 [9.5]	N/A	N/A
5F-S5F-6F	-S5F-8F	0.18 [5.0]	0.44 [11.1]	N/A	N/A

Dimensions

Fitting	A in [mm]	B in [mm]	C in [mm]	Thread	Thread Depth in [mm]
5F-S5F-4F	0.83 [21.0]	0.68 [17.3]	0.35 [8.9]	M4X0.7	0.22 [5.6]
5F-S5F-5F	0.83 [21.0]	0.68 [17.3]	0.35 [8.9]	M5X0.8	0.22 [5.6]
5F-S5F-6F	0.86 [22.0]	0.63 [16.0]	0.33 [8.4]	M6X1.0	0.33 [8.4]

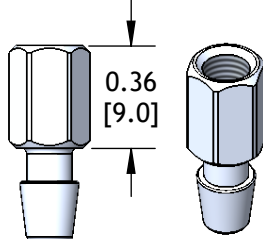
For use with 8-10M and 10-10M fittings.

Ø 10-15 mm Cups - Standard



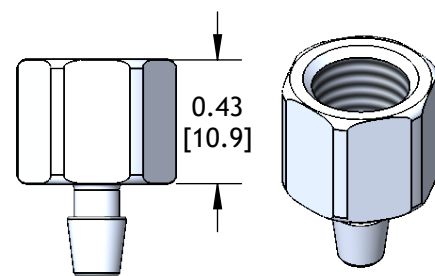
10-4F

Assembly Suffix:	-4F
Threads:	M4X0.7 Female
Thread Depth: in [mm]	0.23 [5.8]
Weight: oz [g]	0.05 [1.4]
Thru Hole: in [mm]	0.10 [2.5]
Hex Size: in [mm]	0.25 [6.4]
PE Filter:	N/A
SS Filter:	N/A



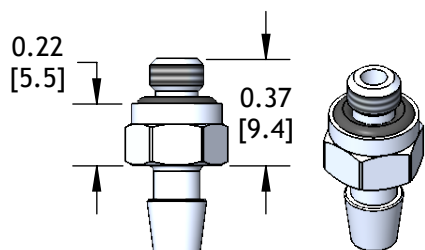
10-5F

Assembly Suffix:	-5F
Threads:	M5X0.8 Female
Thread Depth: in [mm]	0.20 [5.1]
Weight: oz [g]	0.05 [1.4]
Thru Hole: in [mm]	0.10 [2.5]
Hex Size: in [mm]	0.25 [6.4]
PE Filter:	N/A
SS Filter:	N/A



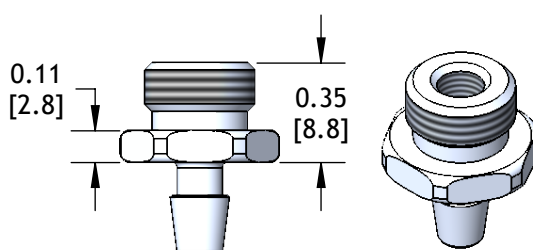
10-18F

Assembly Suffix:	-10M
Threads:	G 1/8-27 NPSF
Thread Depth: in [mm]	0.28 [7.1]
Weight: oz [g]	0.10 [2.8]
Thru Hole: in [mm]	0.10 [2.5]
Hex Size: in [mm]	0.5 [13.0]
PE Filter:	FD339
SS Filter:	FS350



10-10M

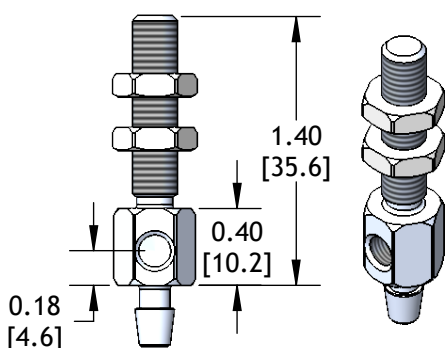
Assembly Suffix:	-10M
Threads:	10-32 Male
Weight: oz [g]	0.10 [2.8]
Thru Hole: in [mm]	0.10 [2.5]
Hex Size: in [mm]	0.31 [8.0]
PE Filter:	N/A
SS Filter:	N/A



10-18M

Assembly Suffix:	-18M
Male Threads:	G 1/8-28 Male
Female Threads:	M5X0.8 Female
Thread Depth: in [mm]	0.21 [5.3]
Weight: oz [g]	0.08 [2.3]
Thru Hole: in [mm]	0.10 [2.5]
Hex Size: in [mm]	0.50 [13.0]
PE Filter:	N/A
SS Filter:	N/A

Ø 10-15 mm Cups - Side Vacuum Port w/ Male Post

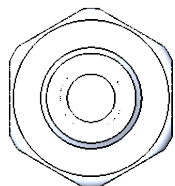
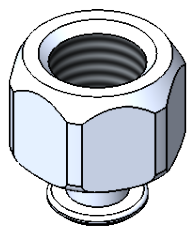
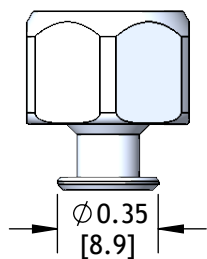


10-S5F-6M

Assembly Suffix:	-S5F-6M
Port Threads:	M5X0.8
Post Threads:	M6X1.0
Weight: oz [g]	0.24 [6.8]
Thru Hole: in [mm]	0.10 [2.5]
Hex Size: in [mm]	0.38 [9.5]
PE Filter:	N/A
SS Filter:	N/A

JN-M6X1.0 - Jam Nut - 2 Included

Ø 20-35 mm Cups - Female



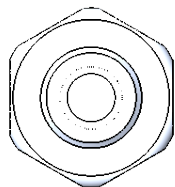
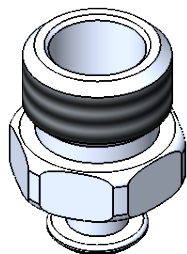
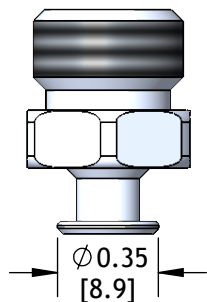
Technical Data

Fitting	Assembly Suffix	Weight oz [g]	PE Filter	SS Filter
32-5F	-5F	0.09 [2.6]	N/A	N/A
32-6F	-6F	0.23 [6.5]	N/A	N/A
32-8F	-8F	0.20 [5.7]	N/A	N/A
32-18F	-18F	0.12 [3.4]	FD339	FS350
32-G14F	-G14F	0.26 [7.3]	N/A	FS500

Dimensions

Fitting	Hex Height in [mm]	Hex Size in [mm]	Thru Hole in [mm]	Thread	Thread Depth in [mm]
32-5F	0.25 [6.4]	0.50 [12.7]	0.17 [4.2]	M5X0.8	0.20 [5.1]
32-6F	0.55 [14.0]	0.56 [14.5]	0.14 [3.6]	M6X1.0	0.25 [6.4]
32-8F	0.55 [14.0]	0.56 [14.5]	0.14 [3.6]	M8X1.25	0.32 [8.1]
32-18F	0.40 [10.0]	0.56 [14.5]	0.17 [4.2]	G 1/8 NPSF	0.25 [8.4]
32-G14F	0.65 [16.4]	0.69 [17.5]	0.17 [4.2]	G 1/4	0.45 [11.4]

Ø 20-35 mm Cups - Male



Technical Data

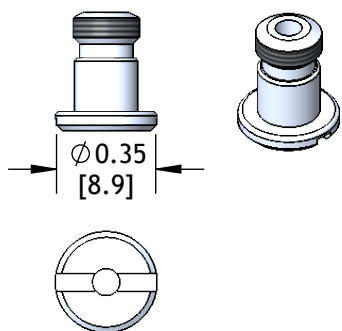
Fitting	Assembly Suffix	Weight oz [g]	PE Filter	SS Filter
32-5M	-5M	0.09 [2.6]	N/A	N/A
32-6M	-6M	0.11 [3.2]	N/A	N/A
32-8M	-8M	0.12 [3.4]	N/A	N/A
32-18M ¹	-18M	0.08 [2.3]	N/A	FS285
32-14M	-14M	0.18 [5.1]	N/A	FS350
32-G14M	-G14M	0.16 [4.5]	N/A	FS350

Dimensions

Fitting	Hex Height in [mm]	Hex Size in [mm]	Thru Hole in [mm]	Thread	Thread Length in [mm]
32-5M	0.20 [5.1]	0.50 [12.7]	0.08 [2.0]	M5X0.8	0.19 [4.8]
32-6M	0.20 [5.1]	0.56 [14.2]	0.10 [2.5]	M6X1.0	0.23 [5.9]
32-8M	0.20 [5.1]	0.56 [14.2]	0.14 [3.6]	M8X1.25	0.32 [8.1]
32-18M ¹	0.11 [2.8]	0.56 [14.2]	0.16 [4.1]	G 1/8 NPSF	0.24 [6.1]
32-14M	0.20 [5.1]	0.69 [17.5]	0.17 [4.2]	1/4 NPTF	0.35 [9.0]
32-G14M	0.20 [5.1]	0.69 [17.5]	0.17 [4.2]	G 1/4	0.35 [9.0]

¹32-18M also has M5X0.8 Female threads 0.22 [5.7] deep.

Ø 20-35 mm Cups - Male Stud



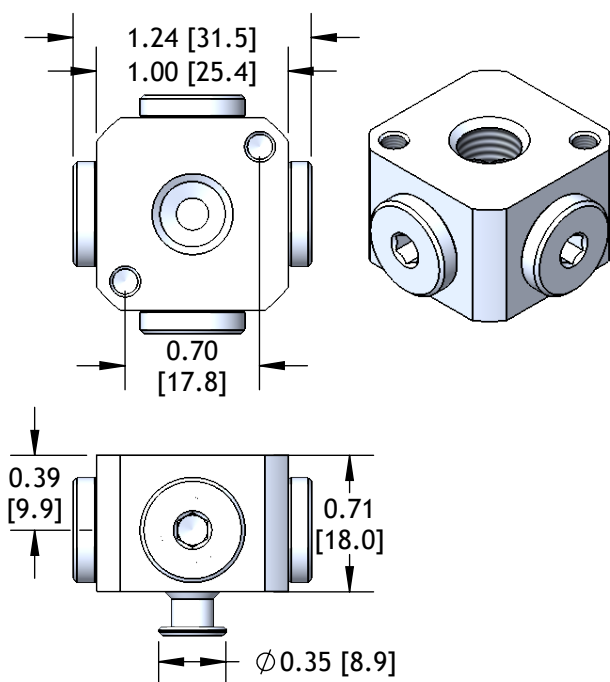
Technical Data

Fitting	Assembly Suffix	Weight oz [g]	PE Filter	SS Filter
32-6MS	-6MS	0.02 [0.7]	N/A	N/A
32-10MS	-10MS	0.02 [0.7]	N/A	N/A

Dimensions

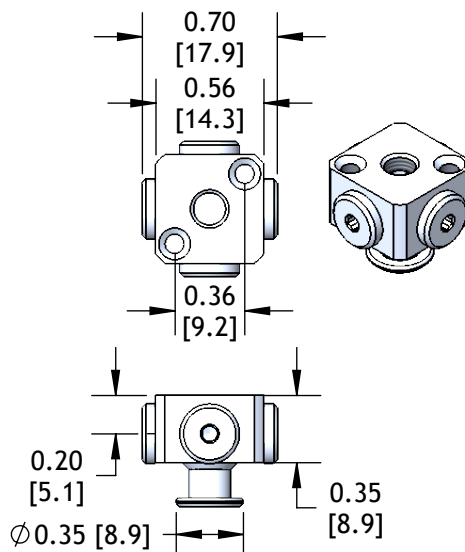
Fitting	Slot Width in [mm]	Thru Hole in [mm]	Thread	Thread Length in [mm]	Total Height in [mm]
32-6MS	0.06 [1.5]	0.09 [2.3]	M6X1.0	0.16 [4.1]	0.41 [10.4]
32-10MS	0.06 [1.5]	0.09 [2.3]	10-32	0.16 [4.1]	0.41 [10.4]

Ø 20-35 mm Cups - Cross Fittings



32-5X18F

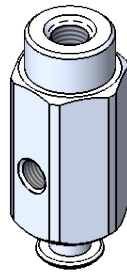
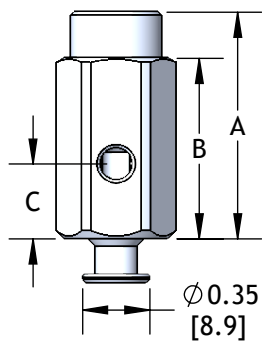
Assembly Suffix:	-5X18F
Threads:	G 1/8 NPSF (5)
Mount Threads:	M4X0.7 (2)
Weight: oz [g]	1.00 [28.3]
Thru Hole: in [mm]	0.17 [4.2]
PE Filter:	N/A
SS Filter:	N/A



32-5X5F

Assembly Suffix:	-5X5F
Threads:	M5X0.8 (5)
Mount Threads:	M3X0.5 (2)
Weight: oz [g]	0.18 [5.0]
Thru Hole: in [mm]	0.17 [4.2]
PE Filter:	N/A
SS Filter:	N/A

Ø 20-35 mm Cups - M5 Female Side Vacuum Port w/ Female Mount



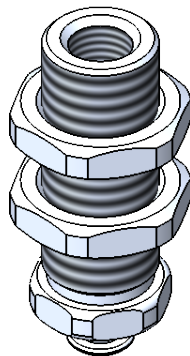
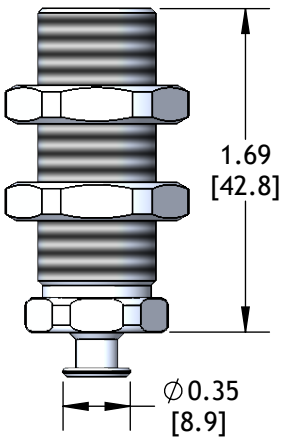
Technical Data

Fitting	Assembly Suffix	Weight oz [g]	Hex Size in [mm]	PE Filter	SS Filter
32-S5F-5F	-S5F-5F	0.34 [9.6]	0.56 [14.3]	N/A	N/A
32-S5F-6F	-S5F-6F	0.43 [12.8]	0.56 [14.3]	N/A	N/A
32-S5F-8F	-S5F-8F	0.41 [11.0]	0.56 [14.3]	N/A	N/A

Dimensions

Fitting	A in [mm]	B in [mm]	C in [mm]	Mount Thread	Thread Depth in [mm]
32-S5F-5F	0.89 [22.1]	0.69 [17.5]	0.35 [8.9]	M5X0.8	0.30 [7.6]
32-S5F-6F	1.18 [30.0]	0.94 [23.9]	0.39 [9.9]	M6X1.0	0.25 [6.3]
32-S5F-8F	1.18 [30.0]	0.87 [22.0]	0.39 [9.9]	M8X1.25	0.32 [8.1]

Ø 20-35 mm Cups - Tool Mount

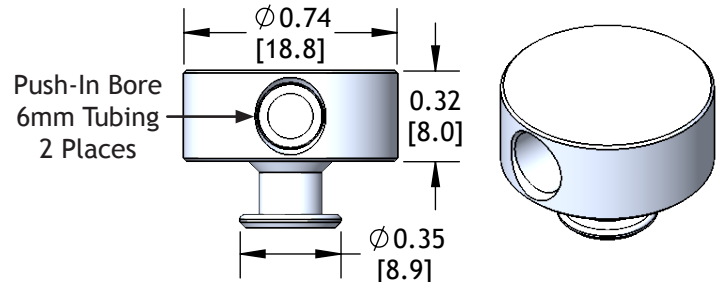


32-18FX40

Assembly Suffix:	-18FX40
Female Threads:	G 1/8 NPSF
Thread Depth: in [mm]	0.38 [9.7]
Post Threads:	M16X1.0
Hex Size: in [mm]	0.69 [17.5]
Hex Height: in [mm]	0.18 [4.6]
Weight: oz [g]	0.78 [22.1]
Thru Hole: in [mm]	0.16 [4.1]
PE Filter:	FD339
SS Filter:	FS350

JN-M16X1 - Jam Nut - 2 Included

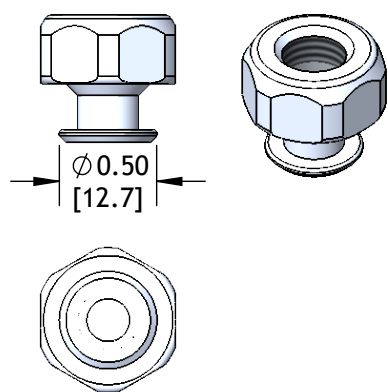
Ø 20-35 mm Cups - Die Cutting



32-DC75X31

Assembly Suffix:	-DC75X31
Weight: oz [g]	0.18 [5.2]
Thru Hole: in [mm]	0.16 [4.1]
PE Filter:	N/A
SS Filter:	N/A

Ø 40 mm Cups - Female



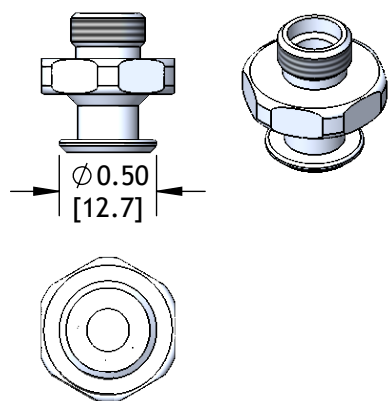
Technical Data

Fitting	Assembly Suffix	Weight oz [g]	PE Filter	SS Filter
40-6F	-6F	0.38 [10.8]	N/A	N/A
40-8F	-8F	0.34 [9.6]	N/A	N/A
40-18F	-18F	0.20 [5.7]	FD339	FS350
40-38F	-38F	0.46 [13.2]	N/A	N/A
40-G14F	-G14F	0.26 [7.3]	N/A	FS500

Dimensions

Fitting	Hex Height in [mm]	Hex Size in [mm]	Thru Hole in [mm]	Thread	Thread Depth in [mm]
40-6F	0.55 [14.0]	0.69 [17.5]	0.14 [3.6]	M6X1.0	0.25 [6.4]
40-8F	0.55 [14.0]	0.69 [17.5]	0.14 [3.6]	M8X1.25	0.32 [8.1]
40-18F	0.35 [8.8]	0.69 [17.5]	0.22 [5.6]	G 1/8 NPSF	0.25 [6.4]
40-38F	0.70 [17.8]	0.88 [22.2]	0.22 [5.6]	3/8 NPTF	0.55 [14.0]
40-G14F	0.63 [15.9]	0.75 [19.0]	0.22 [5.6]	G 1/4	0.45 [11.4]

Ø 40 mm Cups - Male



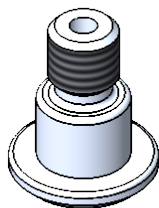
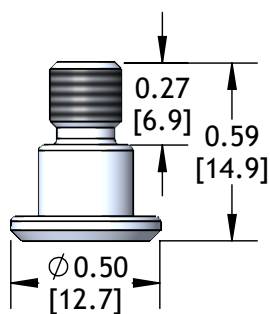
Technical Data

Fitting	Assembly Suffix	Weight oz [g]	PE Filter	SS Filter
40-6M	-6M	0.38 [10.8]	N/A	N/A
40-8M	-8M	0.19 [5.4]	N/A	N/A
40-18M	-18M	0.16 [4.5]	N/A	FS285
40-14M	-14M	0.19 [5.4]	N/A	FS350
40-38M	-38M	0.27 [7.7]	N/A	FS350
40-G14M	-G14M	0.21 [5.9]	N/A	FS350
40-G38M	-G38M	0.27 [7.7]	N/A	FS350

Dimensions

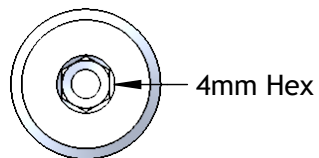
Fitting	Hex Height in [mm]	Hex Size in [mm]	Thru Hole in [mm]	Thread	Thread Length in [mm]
40-6M	0.20 [5.1]	0.69 [17.5]	0.14 [3.6]	M6X1.0	0.32 [8.1]
40-8M	0.20 [5.1]	0.69 [17.5]	0.14 [3.6]	M8X1.25	0.32 [8.1]
40-18M	0.19 [4.9]	0.69 [17.5]	0.22 [5.6]	G 1/8 NPSF	0.23 [5.9]
40-14M	0.20 [5.1]	0.69 [17.5]	0.22 [5.6]	1/4 NPT	0.36 [9.0]
40-38M	0.20 [5.1]	0.75 [19.0]	0.22 [5.6]	3/8 NPT	0.36 [9.0]
40-G14M	0.20 [5.1]	0.69 [17.5]	0.22 [5.6]	G 1/4	0.36 [9.0]
40-G38M	0.20 [5.1]	0.75 [19.0]	0.22 [5.6]	G 3/8	0.36 [9.0]

Ø 40 mm Cups - Male Stud

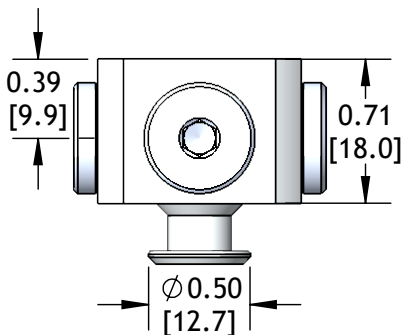
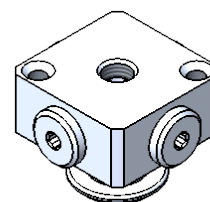
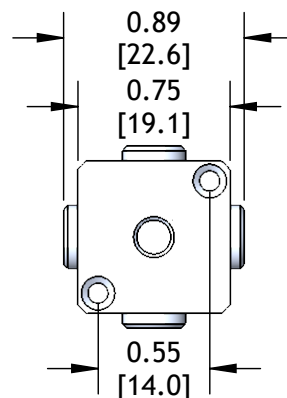
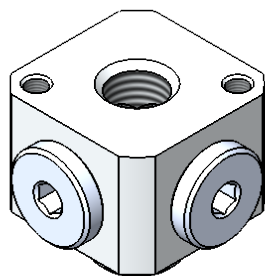
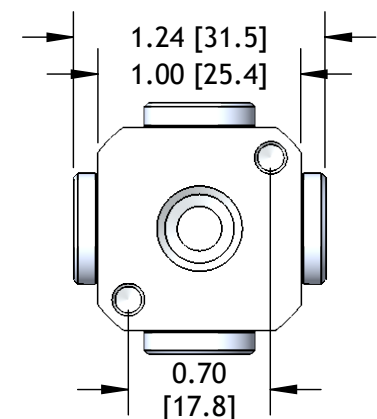


40-6MS

Assembly Suffix:	-6MS
Thread:	M6X1.0
Weight: oz [g]	0.07 [1.9]
Thru Hole: in [mm]	0.09 [2.4]
PE Filter:	N/A
SS Filter:	N/A

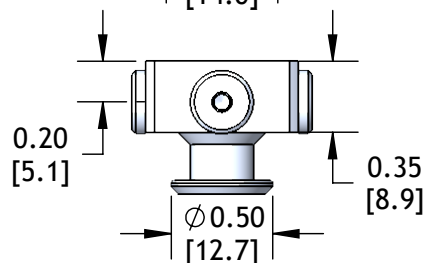


Ø 40 mm Cups - Cross Fittings



40-5X18F

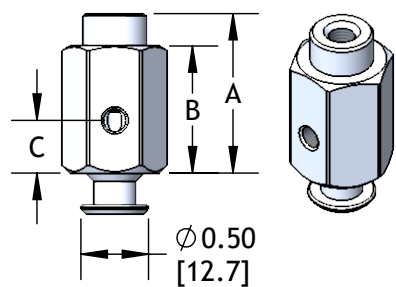
Assembly Suffix:	-5X18F
Threads:	G 1/8 NPSF (5)
Mount Threads:	M4X0.7 (2)
Weight: oz [g]	1.00 [28.3]
Thru Hole: in [mm]	0.22 [5.6]
PE Filter:	N/A
SS Filter:	N/A



40-5X5F

Assembly Suffix:	-5X5F
Threads:	M5X0.8 (5)
Mount Threads:	M3X0.5 (2)
Weight: oz [g]	0.32 [9.0]
Thru Hole: in [mm]	0.16 [4.1]
PE Filter:	N/A
SS Filter:	N/A

Ø 40 mm Cups - M5 Female Side Vacuum w/ Female Port



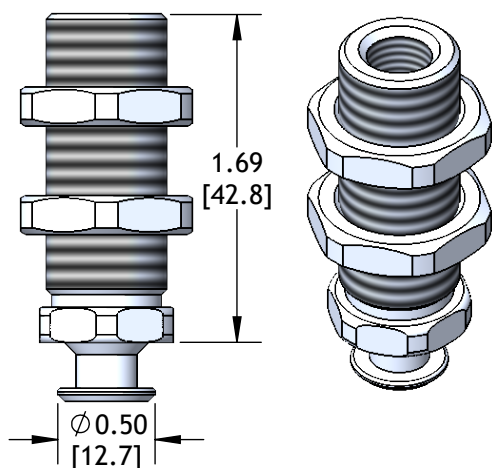
Technical Data

Fitting	Assembly Suffix	Weight oz [g]	Hex Size in [mm]	PE Filter	SS Filter
40-S5F-6F	-S5F-6F	0.69 [19.6]	0.69 [17.5]	N/A	N/A
40-S5F-8F	-S5F-8F	0.63 [17.9]	0.69 [17.5]	N/A	N/A

Dimensions

Fitting	A in [mm]	B in [mm]	C in [mm]	Mount Thread	Thread Depth in [mm]
40-S5F-6F	1.18 [30.0]	0.94 [23.9]	0.39 [9.9]	M6X1.0	0.25 [6.3]
40-S5F-8F	1.18 [30.0]	0.87 [22.0]	0.39 [9.9]	M8X1.25	0.32 [8.1]

Ø 40 mm Cups - Tool Mount

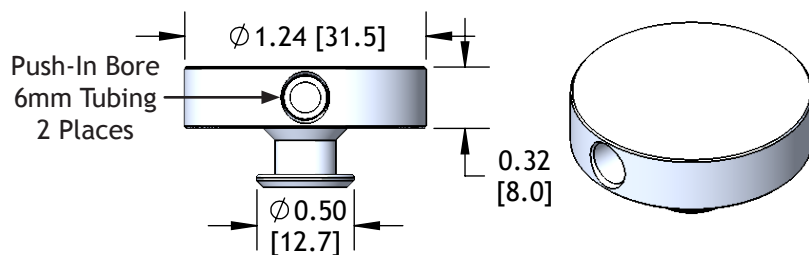


40-18FX40

Assembly Suffix:	-18FX40
Female Threads:	G 1/8 NPSF
Thread Depth: in [mm]	0.38 [9.7]
Post Threads:	M16X1.0
Hex Size: in [mm]	0.69 [17.5]
Hex Height: in [mm]	0.18 [4.6]
Weight: oz [g]	0.80 [22.7]
Thru Hole: in [mm]	0.22 [5.5]
PE Filter:	FD339
SS Filter:	FS350

JN-M16X1 - Jam Nut - 2 Included

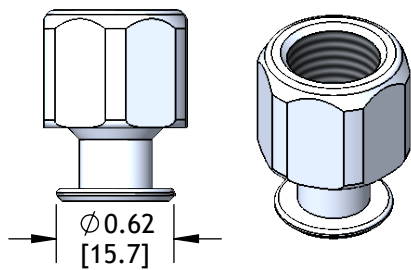
Ø 40 mm Cups - Die Cutting



40-DC125X31

Assembly Suffix:	-DC125X31
Weight: oz [g]	0.58 [16.3]
Thru Hole: in [mm]	0.16 [4.0]
PE Filter:	N/A
SS Filter:	N/A

Ø 50 mm Cups - Female



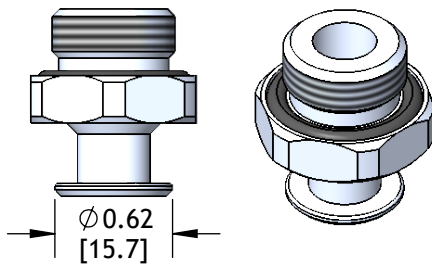
Technical Data

Fitting	Assembly Suffix	Weight oz [g]	PE Filter	SS Filter
50-6F	-6F	0.42 [11.9]	N/A	N/A
50-8F	-8F	0.38 [10.8]	N/A	N/A
50-18F	-18F	0.23 [6.5]	FD339	FS350
50-14F	-14F	0.36 [10.2]	FD500	FS500
50-38F	-38F	0.51 [14.5]	N/A	N/A
50-G14F	-G14F	0.37 [10.5]	FD500	FS500

Dimensions

Fitting	Hex Height in [mm]	Hex Size in [mm]	Thru Hole in [mm]	Thread	Thread Depth in [mm]
50-6F	0.55 [14.0]	0.69 [17.5]	0.14 [3.6]	M6X1.0	0.25 [6.4]
50-8F	0.55 [14.0]	0.69 [17.5]	0.14 [3.6]	M8X1.25	0.32 [8.1]
50-18F	0.35 [8.8]	0.69 [17.5]	0.22 [5.6]	G 1/8 NPSF	0.25 [6.4]
50-14F	0.62 [15.6]	0.75 [19.0]	0.22 [5.6]	1/4 NPTF	0.40 [10.0]
50-38F	0.70 [17.8]	0.88 [22.2]	0.22 [5.6]	3/8 NPSF	0.45 [11.4]
50-G14F	0.63 [15.9]	0.75 [19.0]	0.22 [5.6]	G 1/4	0.45 [11.4]

Ø 50 mm Cups - Male



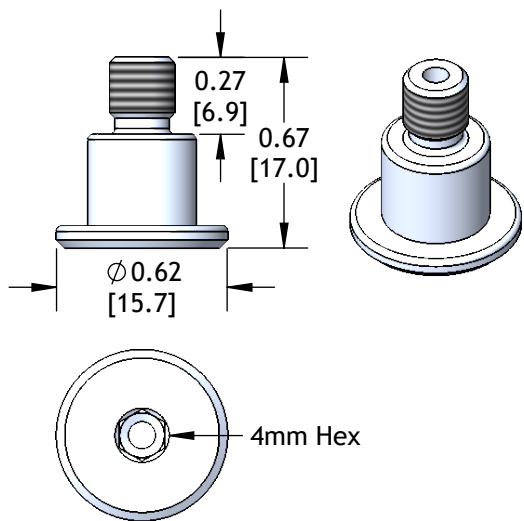
Technical Data

Fitting	Assembly Suffix	Weight oz [g]	PE Filter	SS Filter
50-6M	-6M	0.23 [6.5]	N/A	N/A
50-8M	-8M	0.23 [6.5]	N/A	N/A
50-18M	-18M	0.20 [5.7]	N/A	FS285
50-14M	-14M	0.23 [6.5]	N/A	FS350
50-38M	-38M	0.31 [8.8]	N/A	FS350
50-G14M	-G14M	0.25 [7.1]	N/A	FS350
50-G38M	-G38M	0.31 [8.8]	N/A	FS350
50-N18M	-N18M	0.20 [5.7]	N/A	FS285

Dimensions

Fitting	Hex Height in [mm]	Hex Size in [mm]	Thru Hole in [mm]	Thread	Thread Length in [mm]
50-6M	0.20 [5.1]	0.69 [17.5]	0.14 [3.6]	M6X1.0	0.32 [8.1]
50-8M	0.20 [5.1]	0.69 [17.5]	0.14 [3.6]	M8X1.25	0.32 [8.1]
50-18M	0.20 [5.1]	0.69 [17.5]	0.22 [5.6]	G 1/8 NPSF	0.23 [5.9]
50-14M	0.20 [5.1]	0.69 [17.5]	0.22 [5.6]	1/4 NPT	0.35 [9.0]
50-38M	0.20 [5.1]	0.75 [19.0]	0.22 [5.6]	3/8 NPSF	0.35 [9.0]
50-G14M	0.20 [5.1]	0.69 [17.5]	0.22 [5.6]	G 1/4	0.35 [9.0]
50-G38M	0.20 [5.1]	0.75 [19.0]	0.22 [5.6]	G 3/8	0.35 [9.0]
50-N18M	0.20 [5.1]	0.69 [17.5]	0.22 [5.6]	1/8 NPT	0.39 [9.9]

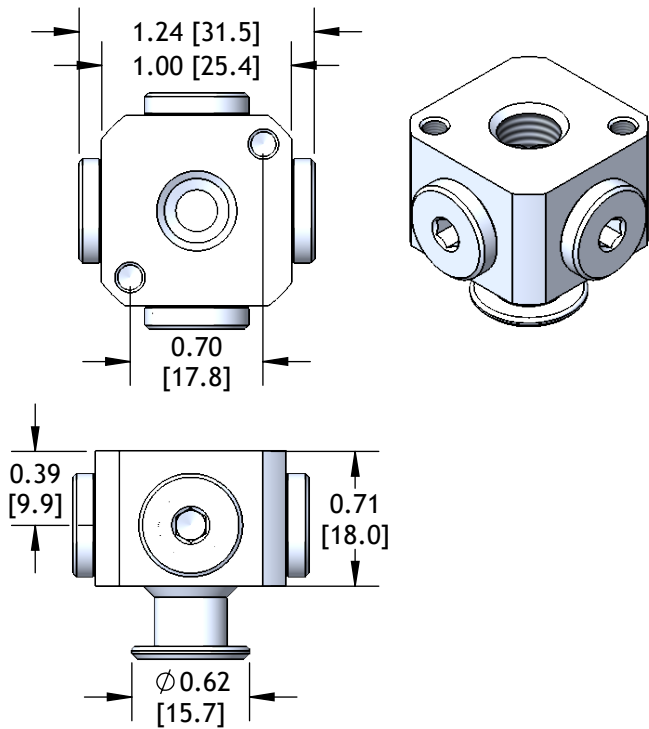
Ø 50 mm Cups - Male Stud



50-6MS

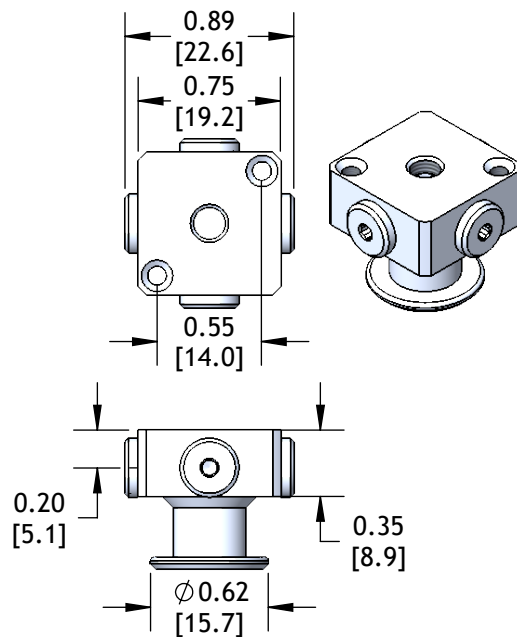
Assembly Suffix:	-6MS
Thread:	M6X1.0
Weight: oz [g]	0.12 [3.4]
Thru Hole: in [mm]	0.02 [2.5]
PE Filter:	N/A
SS Filter:	N/A

Ø 50 mm Cups - Cross Fittings



50-5X18F

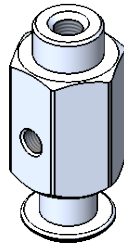
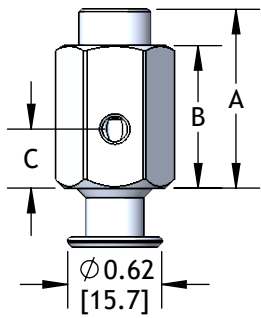
Assembly Suffix:	-5X18F
Threads:	G 1/8 NPSF (5)
Mount Threads:	M4X0.7 (2)
Weight: oz [g]	1.00 [29.7]
Thru Hole: in [mm]	0.22 [5.6]
PE Filter:	N/A
SS Filter:	N/A



50-5X5F

Assembly Suffix:	-5X5F
Threads:	M5X0.8 (5)
Mount Threads:	M3X0.5 (2)
Weight: oz [g]	0.36 [10.1]
Thru Hole: in [mm]	0.16 [4.1]
PE Filter:	N/A
SS Filter:	N/A

Ø 50 mm Cups - M5 Female Side Vacuum w/ Female Port



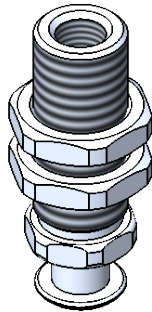
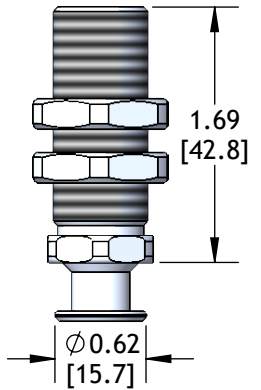
Technical Data

Fitting	Assembly Suffix	Weight oz [g]	Hex Size in [mm]	PE Filter	SS Filter
50-S5F-6F	-S5F-6F	0.74 [21.0]	0.69 [17.5]	N/A	N/A
50-S5F-8F	-S5F-8F	0.68 [19.3]	0.69 [17.5]	N/A	N/A

Dimensions

Fitting	A in [mm]	B in [mm]	C in [mm]	Mount Thread	Thread Depth in [mm]
50-S5F-6F	1.18 [30.0]	0.94 [23.9]	0.39 [9.9]	M6X1.0	0.25 [6.3]
50-S5F-8F	1.18 [30.0]	0.87 [22.0]	0.39 [9.9]	M8X1.25	0.32 [8.1]

Ø 50 mm Cups - Tool Mount

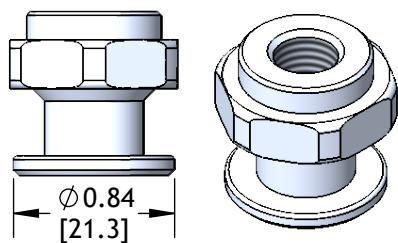


50-18FX40

Assembly Suffix:	-18FX40
Female Threads:	G 1/8 NPSF
Thread Depth: in [mm]	0.38 [9.7]
Post Threads:	M16X1.0
Hex Size: in [mm]	0.69 [17.5]
Hex Height: in [mm]	0.18 [4.6]
Weight: oz [g]	0.83 [23.5]
Thru Hole: in [mm]	0.21 [5.3]
PE Filter:	FD339
SS Filter:	FS350

JN-M16X1 - Jam Nut - 2 Included

Ø 65 mm Cups - Female



Technical Data

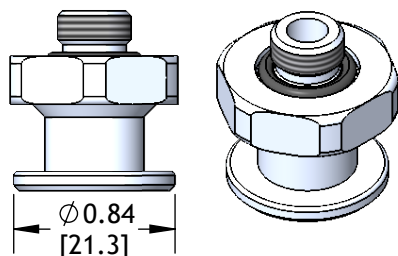
Fitting	Assembly Suffix	Weight oz [g]	PE Filter	SS Filter
65-18F	-18F	0.43 [12.2]	FD339	FS350
65-38F	-38F	0.66 [18.6]	N/A	N/A
65-G14F	-G14F	0.45 [12.7]	N/A	FS500

Dimensions

Fitting	Hex Height in [mm]	Offset Height in [mm]	Thru Hole in [mm]	Thread	Thread Depth in [mm]
65-18F	0.25 [6.4]	0.15 [3.8]	0.34 [8.6]	G 1/8 NPSF	0.38 [7.1]
65-38F	0.82 [20.8]	N/A	0.34 [8.6]	3/8 NPSF	0.55 [14.0]
65-G14F	0.25 [6.4]	0.34 [8.5]	0.34 [8.6]	G 1/4	0.45 [11.4]

Hex Size = 0.88 [22.4] for all 65 mm Cup Fittings

Ø 65 mm Cups - Male



Technical Data

Fitting	Assembly Suffix	Weight oz [g]	PE Filter	SS Filter
65-18M	-18M	0.43 [12.3]	N/A	FS385
65-14M	-14M	0.45 [12.7]	N/A	FS350
65-38M	-38M	0.45 [12.7]	N/A	FS350
65-G14M	-G14M	0.45 [12.7]	N/A	FS350
65-G38M	-G38M	0.45 [12.7]	N/A	FS350

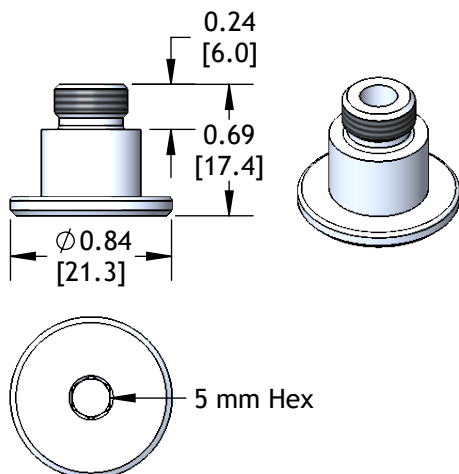
Dimensions

Fitting	Hex Height in [mm]	Thru Hole in [mm]	Thread	Thread Length in [mm]
65-18M	0.25 [6.4]	0.22 [5.6]	G 1/8 NPSF	0.24 [6.1]
65-14M	0.29 [7.4]	0.28 [7.1]	1/4 NPT	0.27 [6.9]
65-38M	0.25 [6.4]	0.34 [8.6]	3/8 NPSF	0.35 [8.9]
65-G14M	0.29 [7.4]	0.28 [7.1]	G 1/4	0.27 [6.9]
65-G38M	0.25 [6.4]	0.34 [8.6]	G 3/8	0.35 [8.9]

65-38M and 65-G38M also have G 1/8 NPSF Female Threads

Hex Size = 0.88 [22.4] on all 65 mm Cup Fittings

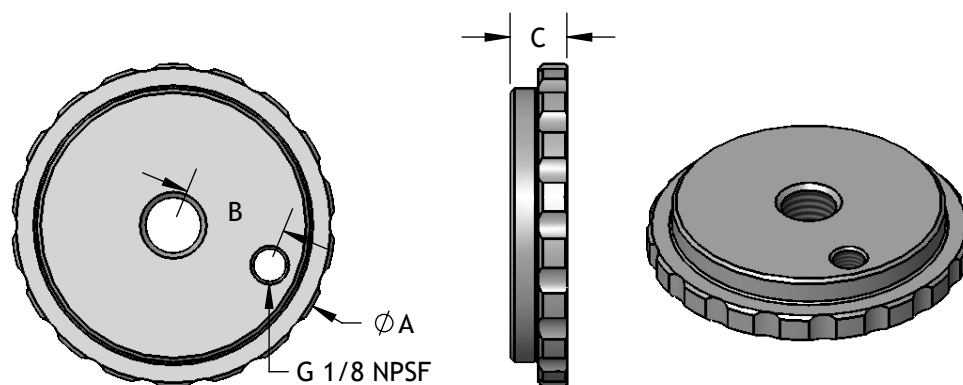
Ø 65 mm Cups - Male Stud



65-18MS

Assembly Suffix:	-18MS
Thread:	G 1/8 NPSF
Weight: oz [g]	0.21 [5.9]
Thru Hole: in [mm]	0.2 [5.0]
PE Filter:	N/A
SS Filter:	N/A

Ø 75 - 150 mm Cups



Fitting	Assembly Suffix	Weight oz [g]	A in [mm]	B in [mm]	C in [mm]	Thread	Filter PE	Filter SS
75-18F	-18F	2.80 [79.4]	2.36 [60.0]	N/A	0.68 [17.3]	G 1/8 NPSF	N/A	FS25
75-14F	-14F	2.70 [76.5]	2.36 [60.0]	N/A	0.68 [17.3]	1/4 NPSF	N/A	FS25
75-G14F	-G14F	2.70 [76.5]	2.36 [60.0]	N/A	0.68 [17.3]	G 1/4	N/A	FS25
75-38F	-38F	2.70 [76.5]	2.36 [60.0]	N/A	0.68 [17.3]	3/8 NPSF	N/A	FS25
75-G38F	-G38F	2.70 [76.5]	2.36 [60.0]	N/A	0.68 [17.3]	G 3/8	N/A	FS25
75-12F	-12F	2.60 [73.7]	2.36 [60.0]	N/A	0.68 [17.3]	G 1/2 NPSF	N/A	FS25
110-38F	-38F	5.10 [145.0]	3.35 [85.1]	1.10 [27.9]	0.59 [15.0]	3/8 NPSF	N/A	FS30
110-12F	-12F	5.10 [145.0]	3.35 [85.1]	1.10 [27.9]	0.59 [15.0]	G 1/2 NPSF	N/A	FS30
150-38F	-38F	8.50 [241.0]	4.72 [120.0]	1.38 [25.0]	0.56 [14.2]	3/8 NPSF	N/A	FS30
150-12F	-12F	8.50 [241.0]	4.72 [120.0]	1.38 [25.0]	0.56 [14.2]	G 1/2 NPSF	N/A	FS30

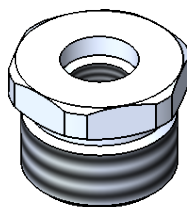
All 75 - 150 fittings include M4X10-965A Stainless Steel Screws.

Sizes 110 and 150 fittings also include an FS21 Filter Screen and P18 Plug for Auxiliary Port.

Metric Bushings

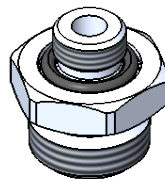
For use with 75-12F, 110-12F, and 150-12F fittings.

Bushing	Female Thread	Weight oz [g]
G12M-M8X1.25F	M8X1.25	0.49 [13.8]
G12M-M10X1.25F	M10X1.25	0.45 [12.7]
G12M-M10X1.5F	M10X1.5	0.45 [12.7]
G12M-M12X1.75F	M12X1.75	0.40 [11.3]
G12M-M16X1.5F	M16X1.5	0.24 [6.8]



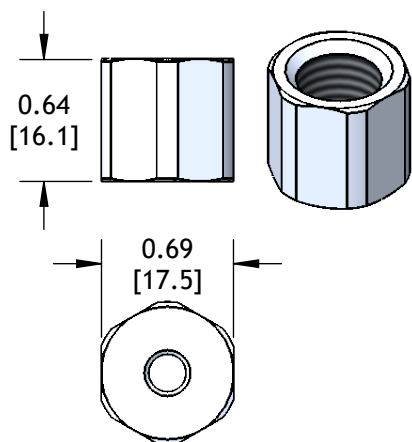
Cup Fitting Adapters

Adapter	Thread 1	Thread 2	Weight oz [g]
38MX18M	3/8 NPSF	G 1/8 NPS	0.26 [7.3]
38MX38M	3/8 NPSF	3/8 NPSF	0.31 [8.9]
38MX12M	3/8 NPSF	G 1/2 NPS	0.59 [16.8]
12MX12M	G 1/2 NPS	G 1/2 NPS	0.77 [21.7]



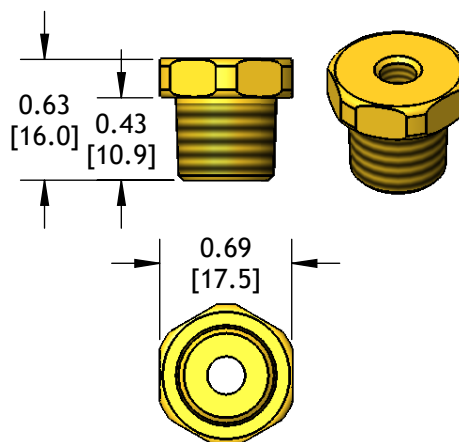
Male Stud Adapters

For use with 32-6MS, 40-6MS, and 50-6MS fittings.



6F-G14F

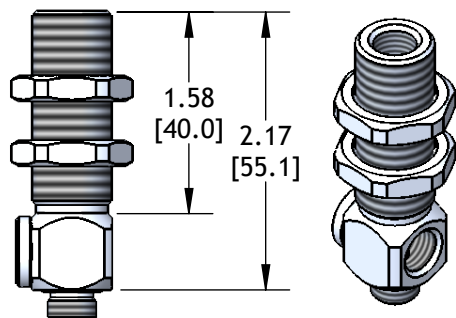
Thread 1:	G 1/4
Thread 2:	M6X1.0
Weight: oz [g]	0.28 [7.9]
PE Filter:	N/A
SS Filter:	N/A



6F-14M

Thread 1:	1/4 NPTF
Thread 2:	M6X1.0
Weight: oz [g]	0.68 [19.3]
PE Filter:	N/A
SS Filter:	N/A

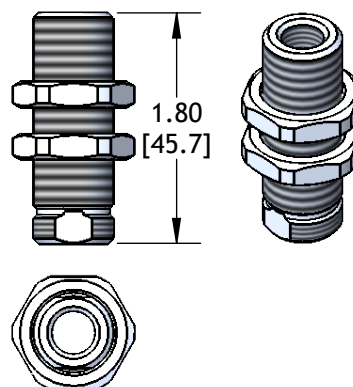
Tool Mount Adapters



TT18-16X40

Port Threads:	G 1/8 NPSF (3)
Post Threads:	M16X1.0
Connection Threads:	G 1/8 NPS
Weight: oz [g]	1.10 [31.2]
PE Filter:	N/A
SS Filter:	N/A

JN-M16X1 - Jam Nut - 2 Included

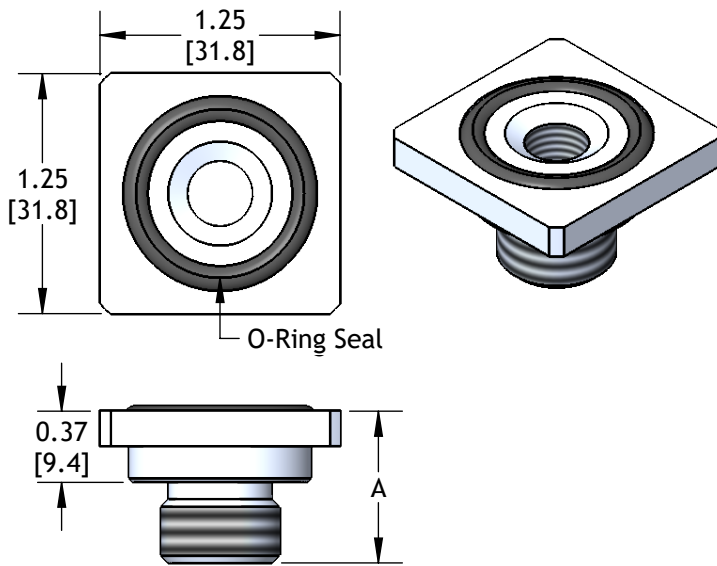


18F-16X40

Port Threads:	G 1/8 NPSF
Post Threads:	M16X1.0
Weight: oz [g]	1.10 [31.2]
PE Filter:	N/A
SS Filter:	N/A

JN-M16X1 - Jam Nut - 2 Included

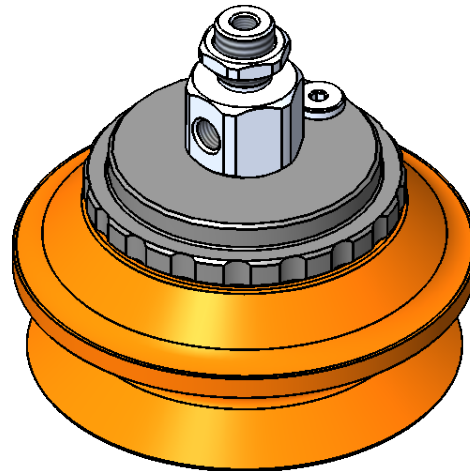
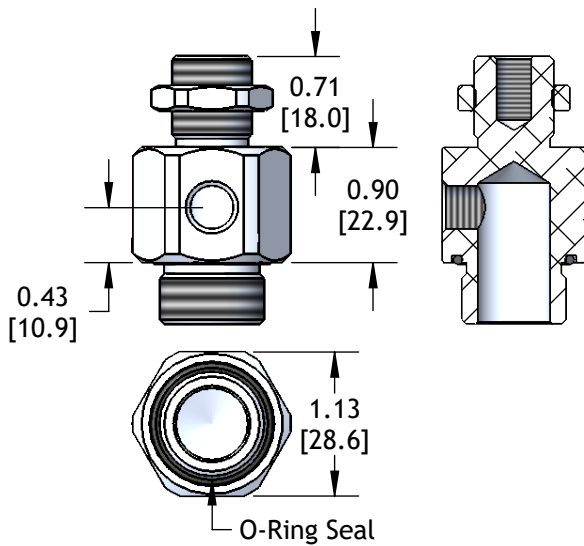
T-Slot Adapters



Adapter	A in [mm]	Thread	Weight oz [g]
TSA-18M	0.61 [15.5]	G 1/8 NPS	0.75 [21.3]
TSA-38M	0.79 [20.0]	3/8 NPSF	0.68 [19.3]
TSA-12M	0.79 [20.0]	G 1/2 NPS	0.59 [16.7]

Side Vacuum Port Adapter

For use with 75-12F, 110-12F, and 150-12F fittings.
JN-M16X1 Jam Nut (1) included



12M-S18F-16M

Port Threads:	G 1/8 NPSF
Post Threads:	M16X1.0
Female Post Threads:	M8X1.25
Connection Threads:	G 1/2 NPSF
Weight: oz [g]	1.80 [50.8]

SS-12 - Sheet Separator

Sheet Separators can be ordered on their own to add to your cup by using the SS-12 part number. To order a sheet separator with a cup already attached, use the chart below. Sheet Separators are compatible with XP-F110 and XP-F150 cups using 12F fittings.

Cup Size & Style		Cup Material	
XP-	F110	N	-12F-SS
F110	Flat Cup, 110 mm	N	Nitrile
F150	Flat Cup, 150 mm	S	Silicone
		V	Viton

Used to warp the edges of sheet goods to promote separation from the next sheet in a stack. As vacuum is applied to the vacuum cup, the cup pulls the sheet against a crowned brass center post and warps it slightly to produce a small air passage under the sheet edge which facilitates sheet separation. One separator per corner is recommended.

Depending on the size and thickness of sheet material, more units may be required. The degree of the warp can be adjusted by changing the projection distance of the center post from the cup cleats or the amount of vacuum applied to the vacuum cup. A 150 mm size cup produces a very large force and should only be used with thicker materials to prevent marking the product.

