

MAC Pulse Valve PV03 Series **MAC**[®]

The MAC Pulse Valve series is designed to be a direct drop-in replacement for existing pulse technology. The MAC solution utilizes a long life, bonded-spool design, instead of the traditional diaphragm style. MAC also uses a balanced pilot valve that isolates the solenoid from airline contamination. Available with integral solenoid pilot as well as bleed pilot configurations.

Direct Drop-In

The MAC Pulse Valve is available with various adapter options. These adapter options allow the MAC valve to directly replace the diaphragm technology with our bonded spool technology without disturbing plumbing. The MAC bleed configuration works with existing remotely located solenoids.

Harsh Environment Compatible

An aluminum die-cast body, nitrile seals and an environmentally protected solenoid are standard features. Viton[®] seals are also available for extreme temperature environments and chemical resistance.

Maintenance

Lower cost of ownership through reduction in downtime due to high reliability. When necessary, maintenance is simplified with available spool kits.

Base Adapters*

M-PV001-01 - ASCO[®] / Flex-Kleen[®] 3/4" Adapter
 M-PV002-01 - Goyen[™] 3/4" Adapter
 M-PV003-01 - ASCO[®] 1" Adapter
 M-PV004-01 - Turbo[™] 1" Adapter
 M-PV005-01 - Goyen[™] 1" Adapter
 M-PV009-01 - ASCO[®] 3/4" External Adapter

* Additional configurations available upon request

Spool Kits

Kit
 Viton[®] K-PV001-05

Product Characteristics and Performance

Flow	Temp. Range Nitrile	Temp Range Viton	Pressure Range
24 Cv	0°F - 140°F -18°C - 60°C	-20°F - 230°F -29°C - 110°C	30 - 120 PSI 2.07 - 8.27 bar



MAC Pulse Valve PV03 Series



Configuration Options

Integral Pilot **PV03B - XXX - 46L - DXXX - XXX = XXXX**

Remote Bleed **PV03B - XXX - 46L - RBXX = XXXX**

Modifications
see below

Spool Type		Base Port Size & Thread Type		Int / Ext Pilot		Remote Bleed	
0	Base Only	0	Basic Valve No Base	0	Base Only	11	NPTF threads
A	N.C. Main W/Memory Spring Viton® Seals Thru-out	A	3/4" NPTF MAC Base	A	Internal Pilot	14	BSPPL threads
		B	1" NPTF MAC Base	B	External Pilot NPTF threads	15	BSPTR threads
		C	3/4" BSPPL MAC Base	C	External Pilot BSPPL threads		
		D	1" BSPPL MAC Base	D	External Pilot BSPTR threads		
		E	3/4" BSPTR MAC Base	E	Internal Pilot BSPPL threads		
		F	1" BSPTR MAC Base	F	Internal Pilot BSPTR threads		

Solenoid Valve Options

46L - DXXX - XXX

Voltage		Lead Wire Length		Manual Operator		Electrical Connector	
DC		A	18"	0	No Operator	BA*	Grommet
DA	24 VDC (5.4 W)	B	24"	1	Non Locking	BK	Grommet w/Diode
EW	24 VDC(8.0 W)	C	36"			CM*	Metal Conduit 1/2"
AC (Requires Modification)		D	48"			CN*	Metal Conduit w/Ground 1/2"
DD	24 VAC (7.3 W)	E	72"			JA *	Square Plug-in
DP	48 VAC (5.8 W)	F	96"			JB	Rectangular Plug-in
EM	120 VAC (6.2 W)	J	External Plug-In Lead			JC *	Square Plug-in w/Light
GD	220 VAC (7.3 W)					JD	Rectangular Plug-in w/Light
						JJ *	Square Male Only
						JM	Rectangular Male Only
						KA*	Mini Plug-in
						KB	Mini Plug-in w/Diode
						KD	Mini Plug-in w/Light
						KE	Mini Plug-in w/Light & Diode
						KC	Mini Plug-in w/LED & Diode
						KJ *	Mini Plug-in Male Only
						KK	Mini Plug-in Male Only w/Diode

Pilot Only Options - Bodies and Assemblies

- 46LB-LR0-RBXX=XXXX (bleed pilot valve)
See options above and modifications below
- 46LB-LP0-DXXX-XXX=XXXX (solenoid operated pilot valve)
See options above and modifications below

Modifications - One Selection Required

- PVVT Viton Seals
- PVVR Viton Seals and AC Voltage - Rectified
- PV01 Viton Seals, Silicone free grease
- PV02 Viton Seals, Silicone free grease and AC Voltage - Rectified
- PV03 Viton Seals, FDA food grade grease
- PV04 Viton Seals, FDA food grade grease and AC Voltage - Rectified

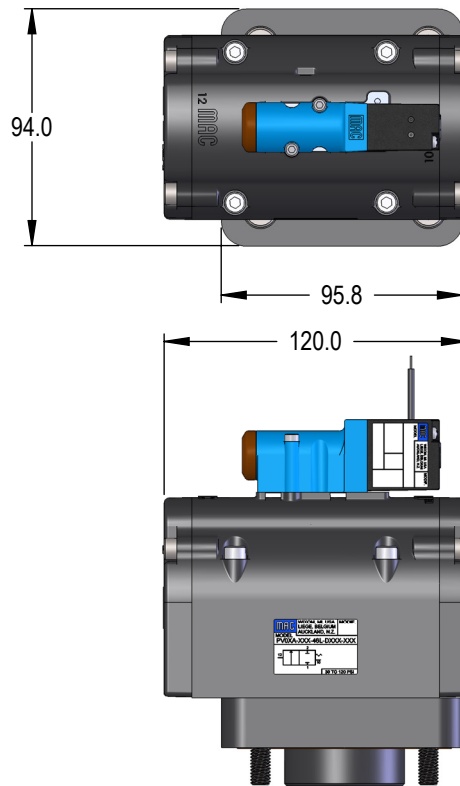
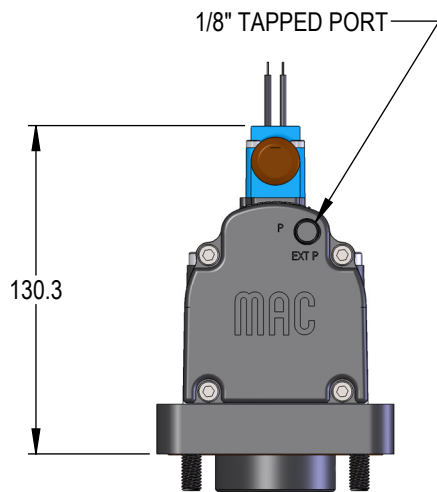
Spool and Adapter Kits

- K-PV001-05 Viton® (includes seals and spring)
- N-PV001-01 Solenoid Adapter Plate
- N-PV001-02 Remote Bleed Adapter Plate
- N-PV002-01 PV03 Check Stem Kit

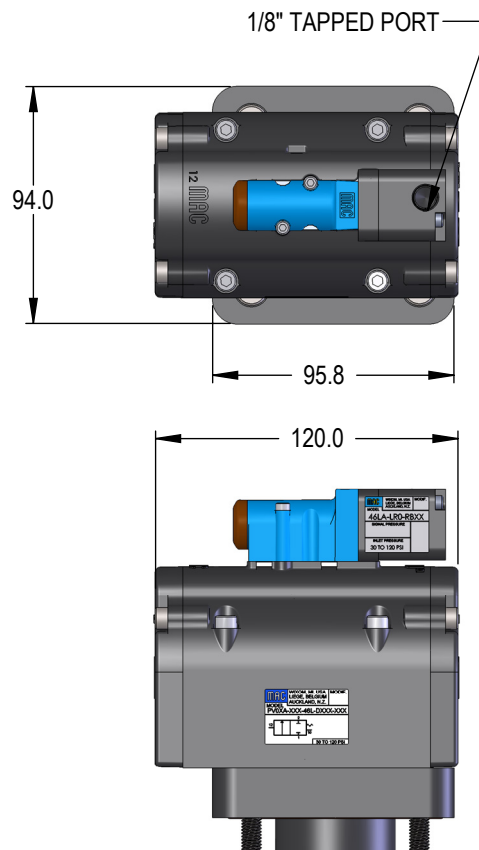
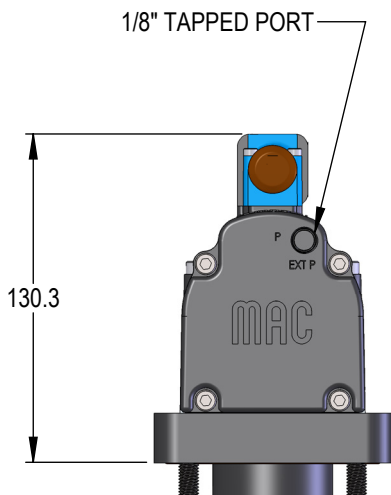
* (Connectors available with AC voltage-
requires modification)

MAC Pulse Valve PV03 Series **MAC**[®]

PV03 with Solenoid Pilot on M-PV005-01 Adapter

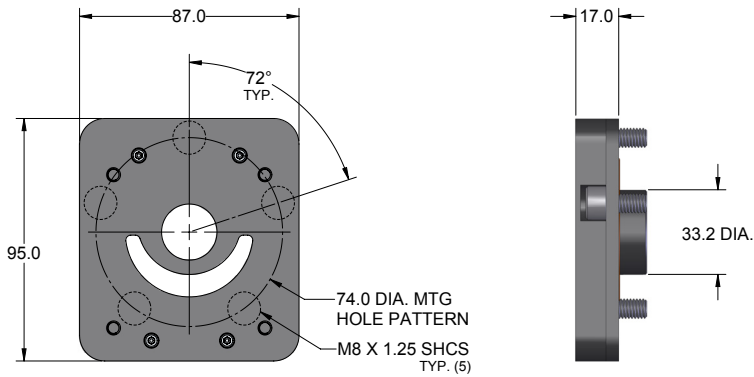


PV03 with Remote Bleed Pilot on M-PV005-01 Adapter

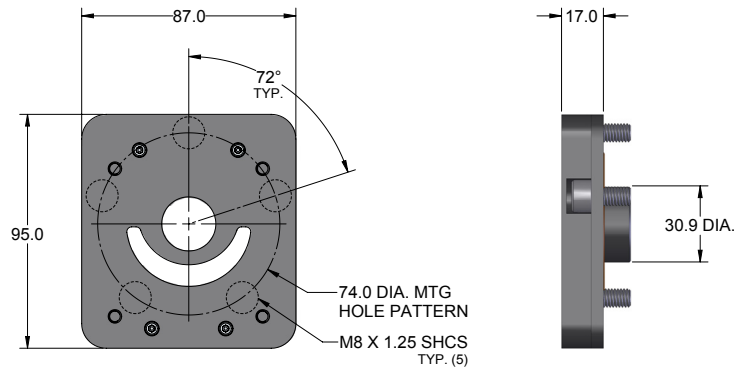


MAC Pulse Valve PV03 Series **MAC**[®]

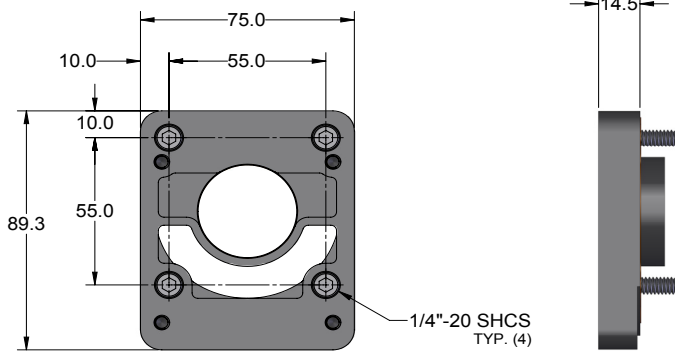
M-PV001-01
 ASCO[®]/ Flex-Kleen[®] 3/4" Adapter
 Tested on C030 and C033 Bases



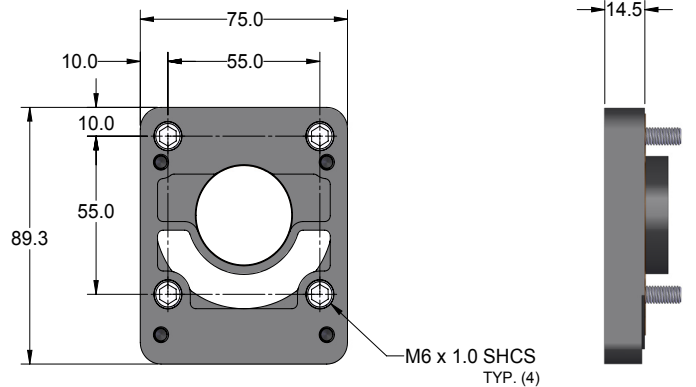
M-PV002-01
 Goyen[™] 3/4" Adapter
 Tested on 20T Base



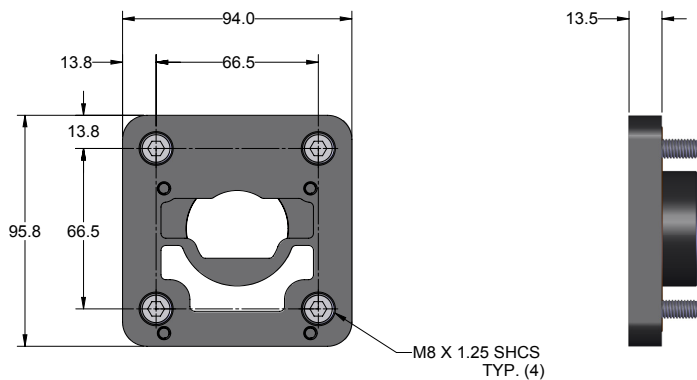
M-PV003-01
 ASCO[®] 1" Adapter
 Tested on C035 Base



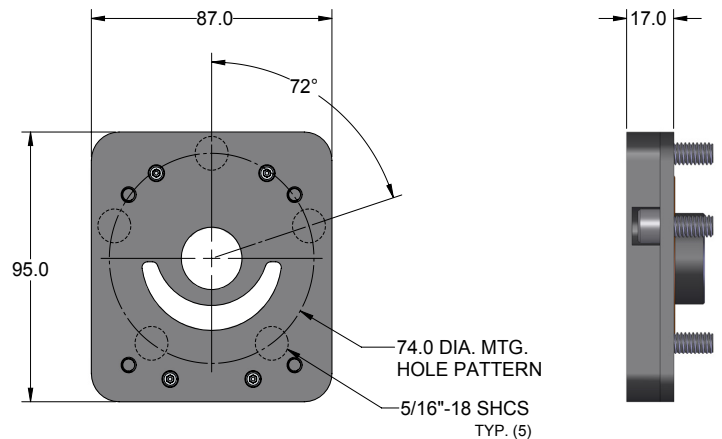
M-PV004-01
 Turbo[™] 1" Adapter
 Tested on FM25 and FP25 Bases



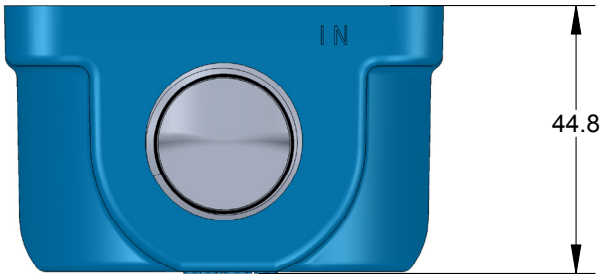
M-PV005-01
 Goyen[™] 1" Adapter
 Tested on 25T Base



M-PV009-01
 ASCO[®] 3/4" Extended Adapter
 Tested on C004 Base



MAC Pulse Valve PV03 Series



MAC 3/4" or 1" Base

