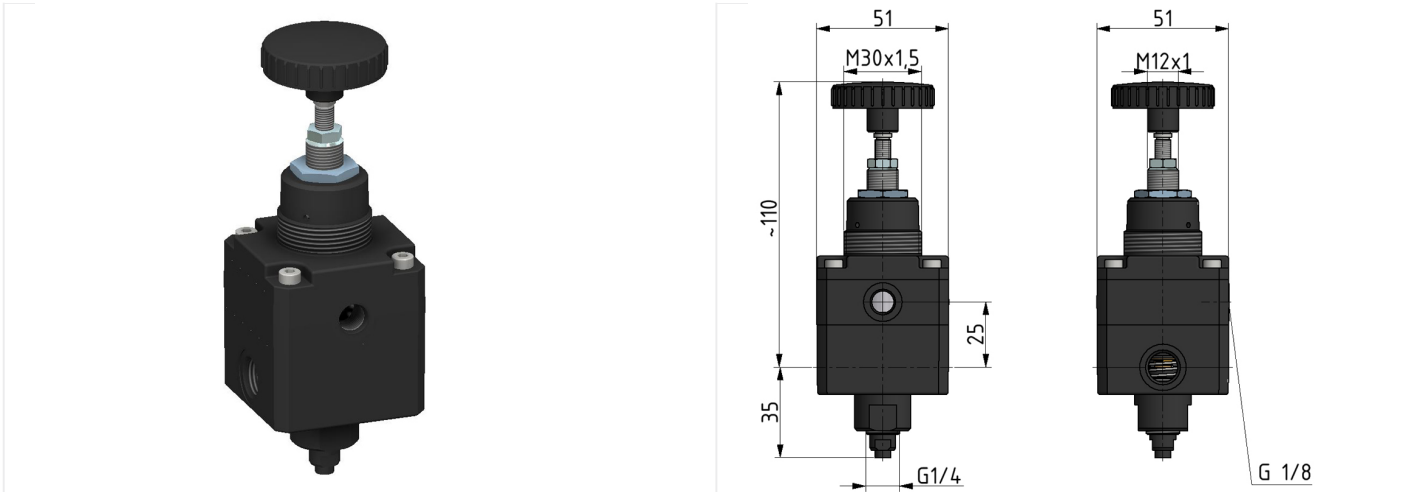


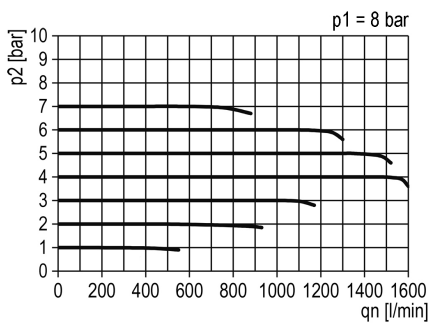
## Pressure-regulator of the Standard series

Precision pressure regulator G 1/4, Control range 0.05 - 8 bar, with panel mounting nut



type	part-number	series	port size	flow rate	adjustment range P2 max.	weight
FDR.07 B8 S	9.6211.00.400/V	Standard	G 1/4	1250 l/min	8 bar	0.505 kg

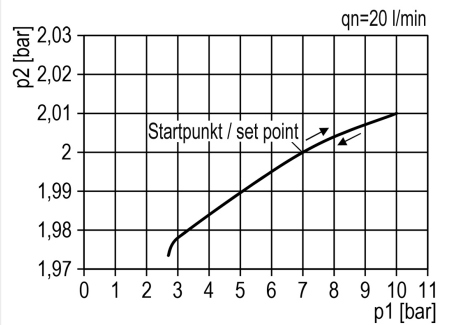
flow characteristic



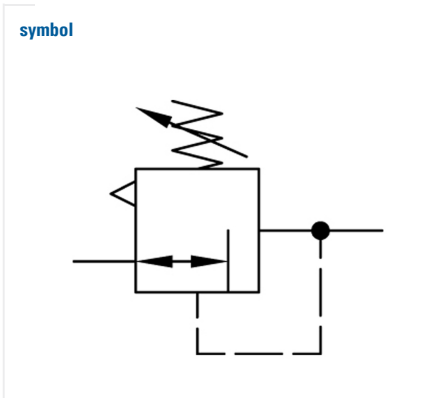
exhaust characteristics



pressure characteristic



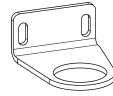
symbol



#### technical data

- **description:** air line regulator with diaphragm and high relieving feature
- **medium:** compressed air, neutral gases
- **supply pressure P1 max.:** 16 bar
- **temperature range:** -10°C - +60°C
- **control panel nut:** control panel nut
- **air consumption:** < 0,5 l/min at P1 = 8 bar (collected exhaust air and air consumption with port size G 1/4 at the bottom)

#### accessories



- control panel mounting:  
[MW.30/DR.00-34-2](#)