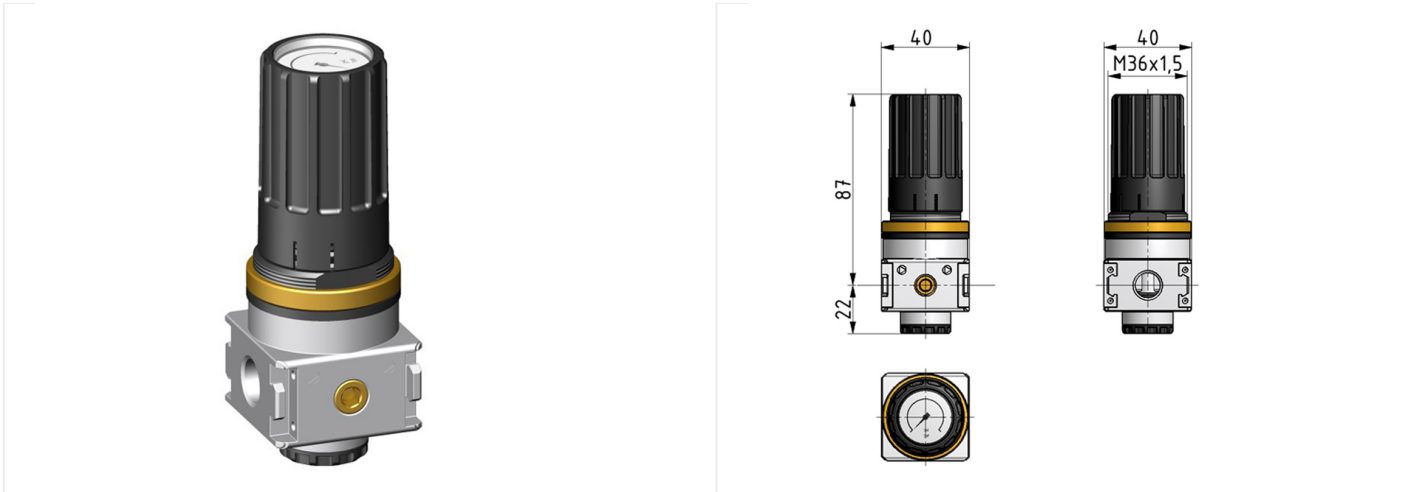


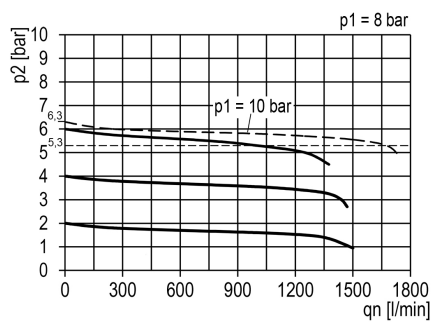
Pressure-regulator of the Multi-Fix series

Pressure regulator G1/4 0,5-10 with gauge G 25.10/16 R inside the setting knob and panel mounting ring

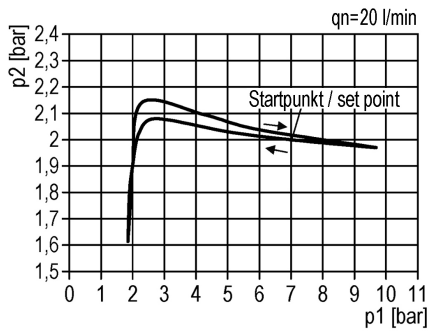


type	part-number	series	port size	flow rate	adjustment range P2 max.	weight
RG.01 S	9.1701.00.009	Multi-Fix	G 1/4	1450 l/min	10 bar	0.342 kg

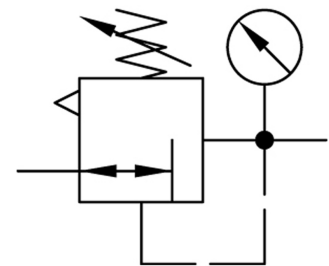
flow characteristic



pressure characteristic



symbol



technical data

- **description:** air line regulator with diaphragm and relieving feature
- **medium:** compressed air, neutral gases
- **supply pressure P1 max.:** 16 bar
- **temperature range:** -10°C - +60°C
- **control panel nut:** control panel nut

accessories