

Filter regulator | BG0



Image shows:
92100.CC00

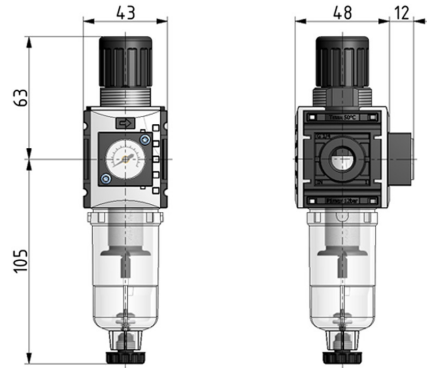
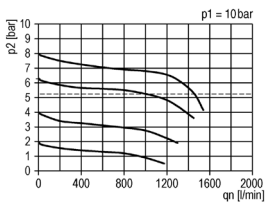
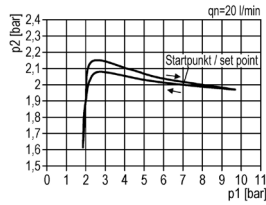


Image shows:
92100.CC00

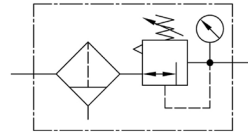
flow characteristic



pressure characteristic



symbol



technical data

description: sinter filter centrifugal principle, diaphragm-type pressure with relieving feature
medium: compressed air, neutral gases
supply pressure P1 min.: 1,5 bar
supply pressure P1 max.: 12 bar
temperature range: -10°C - +50°C
bowl: PC
drain: HA
mounting: vertical
filter element: 5 µm

accessories



mounting bracket:
[KBW.0-1225](#)



coupling kit wall mounting:
[KKOP.0W](#)



control panel mounting:
[KBW.0-1227](#) + C.00-34

adapter for pressure gauge:
KKPS.0-54

type	part-number	description
KFRG-014/8 G	92100.CC00	Filter regulator G1/4 0,5-8 5µm with PC bowl, semi automatic drain and integrated gauge
KFRG-014/8 AM G	92100.CC01	Filter regulator G1/4 0,5-8 5µm with PC bowl, automatic drain and integrated gauge
KFRG-014/8 G M	92100.CC50	Filter regulator G1/4 0,5-8 5µm with metal bowl, semi automatic drain and integrated gauge
KFRG-014/8 M AMG	92100.CC51	Filter regulator G1/4 0,5-8 5µm with metal bowl, automatic drain and integrated gauge

Service 3 unit

Service 2 unit

Filter regulator

Filter

Pressure regulator

Lubricator

System extensions

Accessories

Special products