

# Filter regulator | BG0



Image shows:  
9.1900.00.005.0V

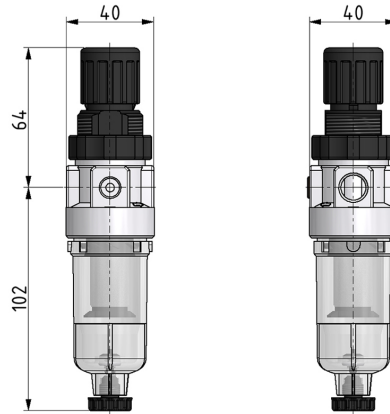
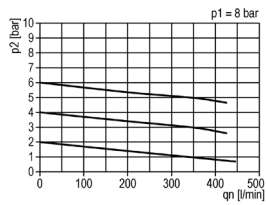
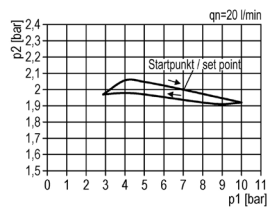


Image shows:  
9.1900.00.005.0V

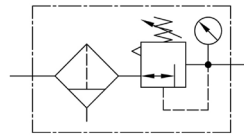
## flow characteristic



## pressure characteristic



## symbol



## technical data

**description:** sinter filter centrifugal principle, diaphragm-type pressure with relieving feature  
**medium:** compressed air, neutral gases  
**supply pressure P1 min.:** 1,5 bar  
**supply pressure P1 max.:** 16 bar  
**temperature range:** -10°C - +60°C  
**bowl:** PC  
**drain:** HA  
**mounting:** vertical  
**filter element:** 5 µm

## accessories



control panel mounting:  
[WH.M 30/DR.00-34](#)

type	part-number	description
FD.00 HA4	9.1900.00.005.0V	Filter regulator G1/8 0,5-10 5µm with PC bowl and semi automatic drain
FD.00 M HA4	9.1900.00.007.0V	Filter regulator G1/8 0,5-10 5µm with metal bowl and semi automatic drain
FD.01 HA4	9.1901.00.005.0V	Filter regulator G1/4 0,5-10 5µm with PC bowl and semi automatic drain
FD.01 M HA4	9.1901.00.007.0V	Filter regulator G1/4 0,5-10 5µm with metal bowl and semi automatic drain