

Filter regulator | BG1

Service 3 unit

Service 2 unit



Image shows:
9.1911.00.005.0V

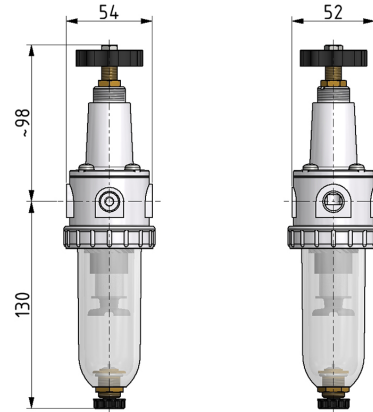
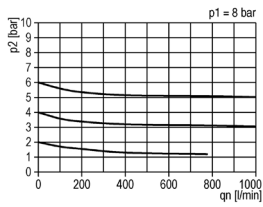


Image shows:
9.1911.00.005.0V

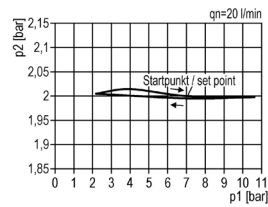
Filter regulator

Filter

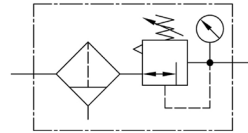
flow characteristic



pressure characteristic



symbol



Pressure regulator

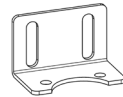
Lubricator

System extensions

technical data

description: sinter filter centrifugal principle, diaphragm-type pressure with relieving feature
medium: compressed air, neutral gases
supply pressure P1 min.: 1,5 bar
supply pressure P1 max.: 16 bar
temperature range: -10°C - +60°C
bowl: PC
drain: HA3
mounting: vertical
filter element: 5 µm

accessories



mounting bracket: [BW.10](#)

control panel mounting: nut
DR.11-7

Accessories

Special products

type	part-number	description
FD.11 HA3	9.1911.00.005.0V	Filter regulator G1/4 0,5-10 5µm with PC bowl and semi automatic drain
FD.11 M HA3	9.1911.00.007.0V	Filter regulator G1/4 0,5-10 5µm with metal bowl and semi automatic drain
FD.12 HA3	9.1912.00.005.0V	Filter regulator G3/8 0,5-10 5µm with PC bowl and semi automatic drain