

Filter regulator | BG2



Image shows:
9.1922.00.125.0V

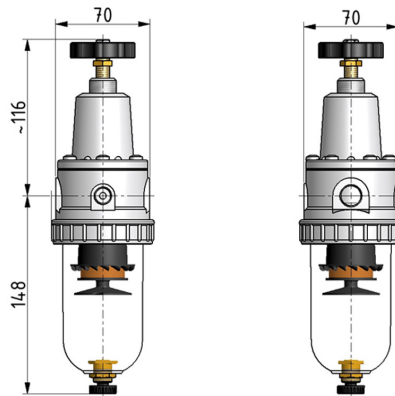
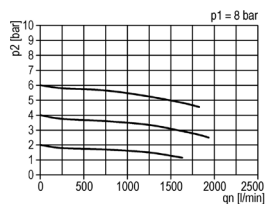
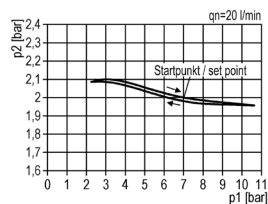


Image shows:
9.1922.00.125.0V

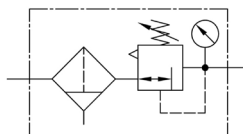
flow characteristic



pressure characteristic



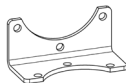
symbol



technical data

- description:** sinter filter centrifugal principle, diaphragm-type pressure with relieving feature
- medium:** compressed air, neutral gases
- supply pressure P1 min.:** 1,5 bar
- supply pressure P1 max.:** 16 bar
- temperature range:** -10°C - +60°C
- bowl:** PC
- drain:** HA3
- mounting:** vertical
- filter element:** 40 µm

accessories



mounting bracket: [BW.30](#)

control panel mounting: nut DR.11-7

type	part-number	description
FD.22 HA3	9.1922.00.125.0V	Filter regulator G3/8 0,5-10 40µm with PC bowl and semi automatic drain
FD.22 M HA3	9.1922.00.127.0V	Filter regulator G3/8 0,5-10 40µm with metal bowl and semi automatic drain
FD.22 AM10	9.1922.00.130.0V	Filter regulator G3/8 0,5-10 40µm with PC bowl and automatic drain
FD.23 HA3	9.1923.00.125.0V	Filter regulator G1/2 0,5-10 40µm with PC bowl and semi automatic drain
FD.23 HA3 B	9.1923.00.128.0V	Filter regulator G1/2 0,5-10 40µm with PC bowl, bowl guard and semi automatic drain
FD.23 AM10	9.1923.00.130.0V	Filter regulator G1/2 0,5-10 40µm with PC bowl and automatic drain