

Filter regulator | BGO



Image shows:
9.2100.00.000

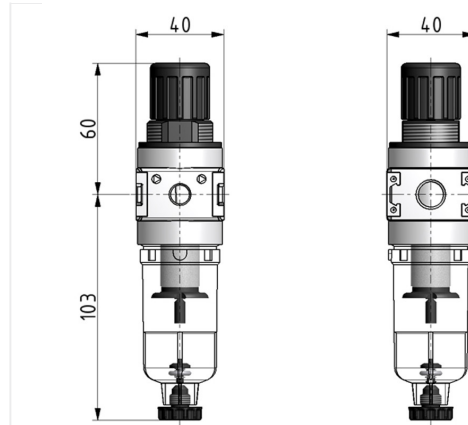
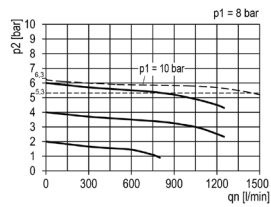
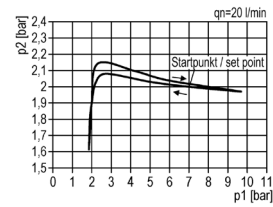


Image shows:
9.2100.00.000

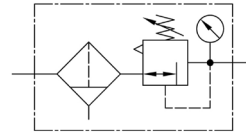
flow characteristic



pressure characteristic



symbol



technical data

description: sinter filter centrifugal principle, diaphragm-type pressure with relieving feature
medium: compressed air, neutral gases
supply pressure P1 min.: 1,5 bar
supply pressure P1 max.: 16 bar
temperature range: -10°C - +60°C
bowl: PC
drain: HA
mounting: vertical
filter element: 5 µm

accessories



coupling kit wall mounting:
[ZW.00-1](#)



control panel mounting:
[MW.30/DR.00-34-2](#)

lockable setting knob possible

type	part-number	description
C.00 HA4	9.2100.00.000	Filter regulator G1/8 0,5-10 5µm with PC bowl and semi automatic drain
C.00 B HA4	9.2100.00.001	Filter regulator G1/8 0,5-10 5µm with PC bowl, bowl guard and semi automatic drain
C.00 AM10	9.2100.00.004	Filter regulator G1/8 0,5-10 5µm with PC bowl and automatic drain
C.00 M HA4	9.2100.00.006	Filter regulator G1/8 0,5-10 5µm with metal bowl and semi automatic drain
C.01 HA4	9.2101.00.000	Filter regulator G1/4 0,5-10 5µm with PC bowl and semi automatic drain
C.01 B HA4	9.2101.00.001	Filter regulator G1/4 0,5-10 5µm with PC bowl, bowl guard and semi automatic drain
C.01 AM10	9.2101.00.004	Filter regulator G1/4 0,5-10 5µm with PC bowl and automatic drain
C.01 M HA4	9.2101.00.006	Filter regulator G1/4 0,5-10 5µm with metal bowl and semi automatic drain