

Filter regulator | BG3

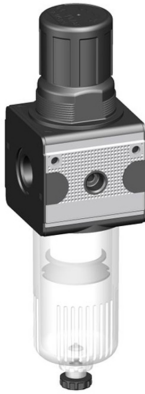


Image shows:
9.2133.006

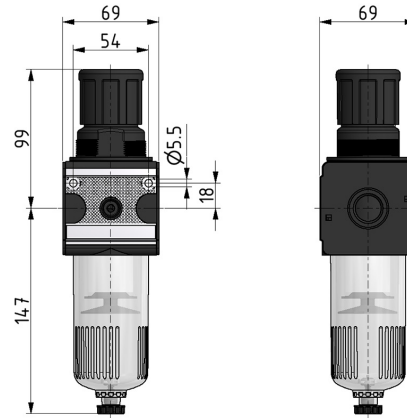
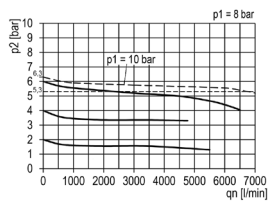
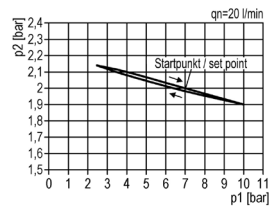


Image shows:
9.2133.006

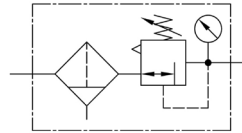
flow characteristic



pressure characteristic



symbol



technical data

- **description:** sinter filter centrifugal principle, diaphragm-type pressure with relieving feature
- **medium:** compressed air, neutral gases
- **supply pressure P1 min.:** 1,5 bar
- **supply pressure P1 max.:** 16 bar
- **temperature range:** -10°C - +60°C
- **bowl:** PC
- **drain:** HA
- **mounting:** vertical
- **filter element:** 5 µm

accessories



- mounting bracket: [ZW.33-1](#)



- control panel mounting: [MW.50/C.33-42](#)

- lockable setting knob possible

	type	part-number	description
Service 3 unit	C.33 HA4	9.2133.006	Filter regulator G1/2 0,5-10 5µm with PC bowl and semi automatic drain
	C.33 H HA3	9.2133.009	Filter regulator G1/2 0,5-10 5µm with metal bowl/visual display and semi automatic drain
	C.33 HA4 B	9.2133.010	Filter regulator G1/2 0,5-10 5µm with PC bowl, bowl guard and semi automatic drain
	C.33 AM10	9.2133.012	Filter regulator G1/2 0,5-10 5µm with PC bowl and automatic drain
Service 2 unit	C.33 H AM10	9.2133.015	Filter regulator G1/2 0,5-10 5µm with metal bowl/visual display and automatic drain
	C.33 AM10 B	9.2133.016	Filter regulator G1/2 0,5-10 5µm with PC bowl, bowl guard and automatic drain
	C.34 HA4	9.2134.006	Filter regulator G3/4 0,5-10 5µm with PC bowl and semi automatic drain
Filter regulator	C.34 H HA3	9.2134.009	Filter regulator G3/4 0,5-10 5µm with metal bowl/visual display and semi automatic drain
	C.34 HA4 B	9.2134.010	Filter regulator G3/4 0,5-10 5µm with PC bowl, bowl guard and semi automatic drain
	C.34 AM10	9.2134.012	Filter regulator G3/4 0,5-10 5µm with PC bowl and automatic drain
Filter	C.34 H AM10	9.2134.015	Filter regulator G3/4 0,5-10 5µm with metal bowl/visual display and automatic drain
	C.34 AM10 B	9.2134.016	Filter regulator G3/4 0,5-10 5µm with PC bowl, bowl guard and automatic drain

Service 3 unit

Service 2 unit

Filter regulator

Filter

Pressure regulator

Lubricator

System extensions

Accessories

Special products