

Pressure regulator with continuous pressure supply BG1



Image shows:
91731.CC00

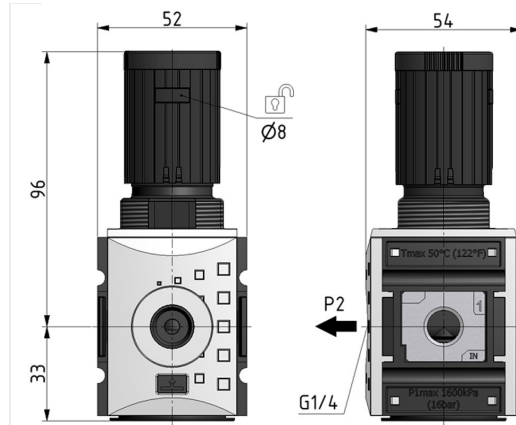
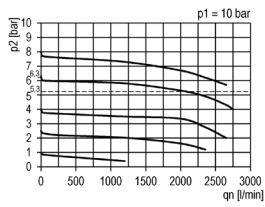
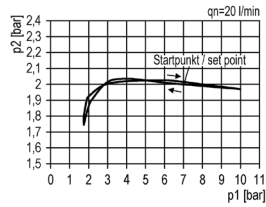


Image shows:
91731.CC00

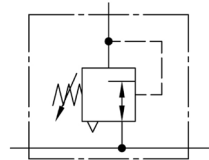
flow characteristic



pressure characteristic



symbol



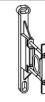
technical data

description: air line regulator with diaphragm and relieving feature
medium: compressed air, neutral gases
supply pressure P1 max.: 16 bar
temperature range: -10°C - +50°C
locking: rotary lock or padlock possible

accessories



mounting bracket:
[KBW.1-1225](#)



coupling kit wall mounting:
[KKOP.1W](#)



control panel mounting:
[KBW.1-1227](#) + SM.1

rotary lock: VH.31 without key or VH.32 with key

type	part-number	description
KRBE-114/8	91731.CC00	Pressure regulator with continuous pressure supply G1/4 0,5-8
KRBE-138/8	91731.DD00	Pressure regulator with continuous pressure supply G3/8 0,5-8

Service 3 unit

Service 2 unit

Filter regulator

Filter

Pressure regulator

Lubricator

System extensions

Accessories

Special products