

## Pressure regulator with continuous pressure supply BG2



Image shows:  
91732.DD00

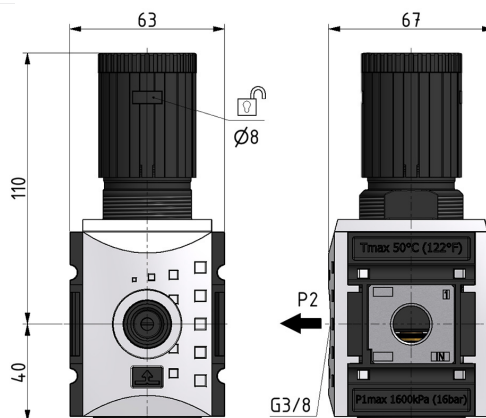
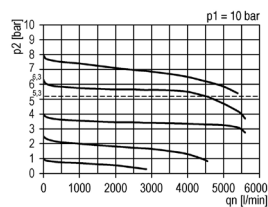
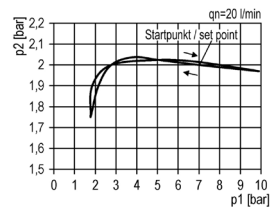


Image shows:  
91732.DD00

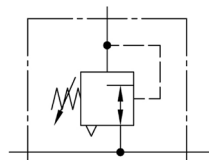
### flow characteristic



### pressure characteristic



### symbol



### technical data

**description:** air line regulator with diaphragm and relieving feature  
**medium:** compressed air, neutral gases  
**supply pressure P1 max.:** 16 bar  
**temperature range:** -10°C - +50°C  
**locking:** rotary lock or padlock possible

### accessories



**mounting bracket:**  
[KBW.2-1225](#)



**coupling kit wall mounting:**  
[KKOP.2W](#)



**control panel mounting:**  
[KBW.2-1227](#) + SM.2

**rotary lock:** VH.31 without key or VH.32 with key

type	part-number	description
KRBE-238/8	91732.DD00	Pressure regulator with continuous pressure supply G3/8 0,5-8
KRBE-212/8	91732.EE00	Pressure regulator with continuous pressure supply G1/2 0,5-8