

Precision pressure regulator | BG1



Image shows:
96201.CC20

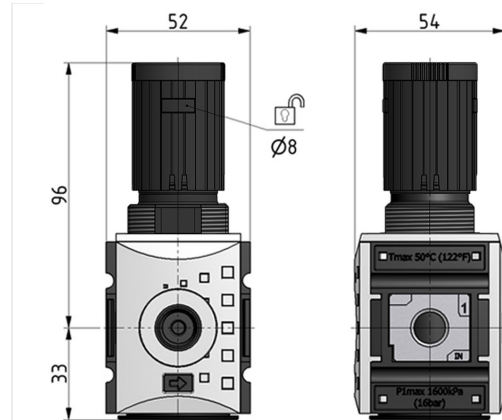
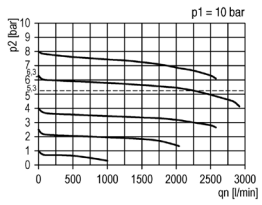
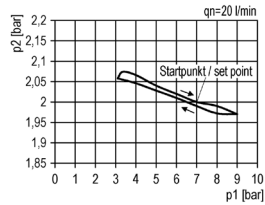


Image shows:
96201.CC20

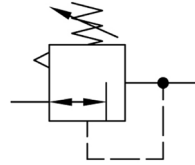
flow characteristic



pressure characteristic



symbol



technical data

- description:** air line regulator with diaphragm and relieving feature
- medium:** compressed air, neutral gases
- supply pressure P1 max.:** 16 bar
- temperature range:** -10°C - +50°C
- locking:** rotary lock or padlock possible
- air consumption:** 2,6 l/min at P2 = 6 bar

accessories



mounting bracket:
[KBW.1-1225](#)



coupling kit wall mounting:
[KKOP.1W](#)



control panel mounting:
[KBW.1-1227](#) + SM.1

rotary lock: VH.31 without key or VH.32 with key

type	part-number	description
KPRG-114/8	96201.CC20	Precision pressure regulator G1/4 0,5-8
KPRG-138/8	96201.DD20	Precision pressure regulator G3/8 0,5-8

Service 3 unit

Service 2 unit

Filter regulator

Filter

Pressure regulator

Lubricator

System extensions

Accessories

Special products