

Pressure regulator | BG0

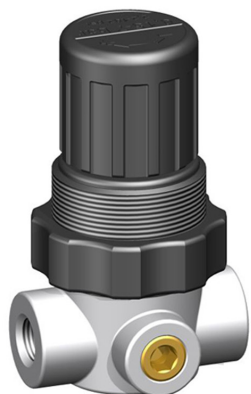


Image shows:
9.1500.00.750/V

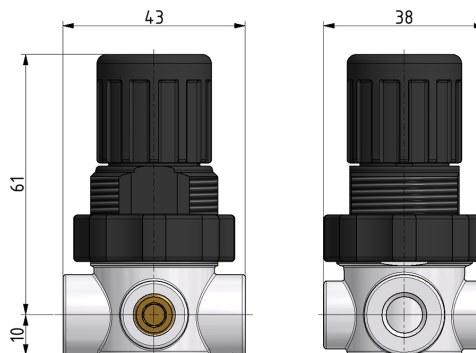
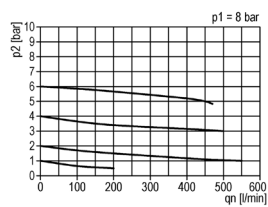
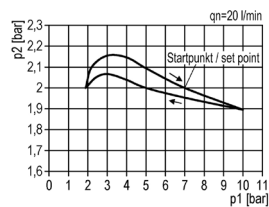


Image shows:
9.1500.00.750/V

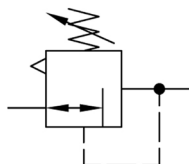
flow characteristic



pressure characteristic



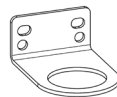
symbol



technical data

description: air line regulator with diaphragm and relieving feature
medium: compressed air, neutral gases
supply pressure P1 max.: 25 bar
temperature range: -10°C - +60°C

accessories



control panel mounting:
[WH.M 30/DR.00-34](#)

type	part-number	description
DR.022-00	9.1500.00.750/V	Pressure regulator G1/8 0,5-10 (2xVST)
DR.022-01	9.1501.00.750/V	Pressure regulator G1/4 0,5-10 (2xVST)