

## Pressure regulator | M5



Image shows:  
9.15M5.00.001

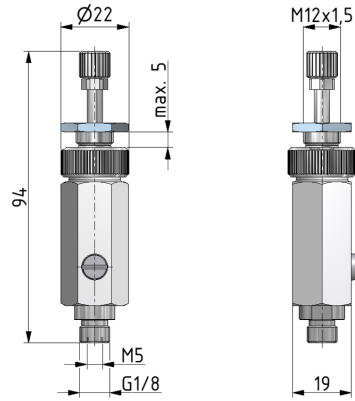
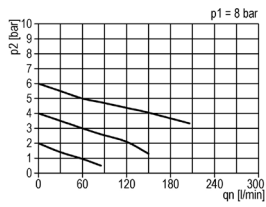
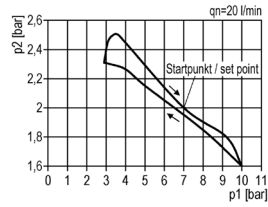


Image shows:  
9.15M5.00.001

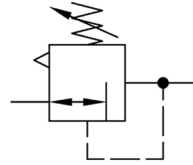
### flow characteristic



### pressure characteristic



### symbol



### technical data

**description:** plunger regulator with diaphragm and relieving feature  
**medium:** compressed air, neutral gases  
**supply pressure P1 max.:** 16 bar  
**temperature range:** -10°C - +60°C  
**control panel nut:** control panel nut

### accessories

type	part-number	description
DR.M5 S	9.15M5.00.001	Pressure regulator M5 0-8,5 with panel mounting ring

Service 3 unit

Service 2 unit

Filter regulator

Filter

Pressure regulator

Lubricator

System extensions

Accessories

Special products