

Pressure regulator | BG0



Image shows:
9.1600.00.102/V

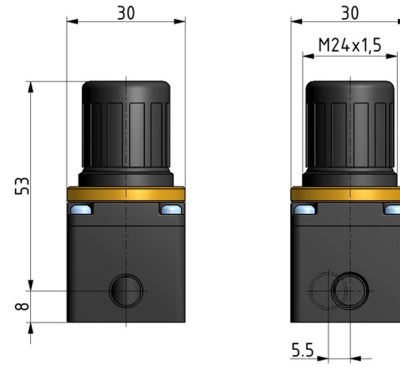
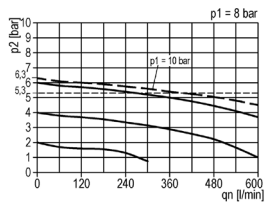
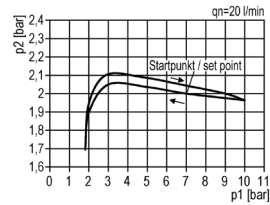


Image shows:
9.1600.00.102/V

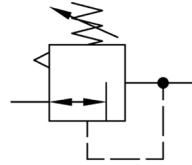
flow characteristic



pressure characteristic



symbol



technical data

description: air line regulator with diaphragm and relieving feature
medium: compressed air, medical oxygen, NO₂ (nitrous oxide)
supply pressure P1 max.: 10 bar
temperature range: -10°C - +60°C
control panel nut: control panel nut

accessories

type	part-number	description
KDR.00 mO S	9.1600.00.102/V	Pressure regulator 30x30 G1/8 0,2-8 for medical oxygen with panel mounting ring and black galvanized gauge plug in the rear port

Service 3 unit

Service 2 unit

Filter regulator

Filter

Pressure regulator

Lubricator

System extensions

Accessories

Special products