

Pressure regulator 30x30 flange| BG0

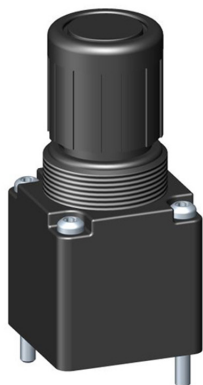


Image shows:
9.160X.00.103/V

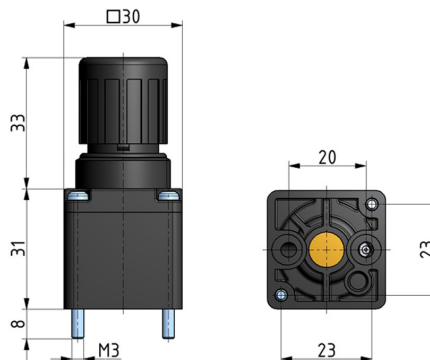
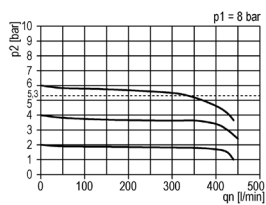
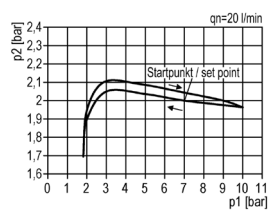


Image shows:
9.160X.00.103/V

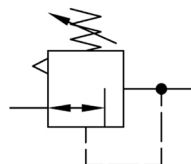
flow characteristic



pressure characteristic



symbol



technical data

description: air line regulator with diaphragm and relieving feature, cartridge regulation, flange mounting
medium: compressed air, medical oxygen, NO2 (nitrous oxide)
supply pressure P1 max.: 10 bar
temperature range: -10°C - +60°C

accessories

| type | part-number | description |
|-----------|-----------------|---|
| KDR.FL mO | 9.160X.00.103/V | Pressure regulator 30x30 flange mounting 0,2-8 for medical oxygen with cartridge regulation and relieving feature |

Service 3 unit

Service 2 unit

Filter regulator

Filter

Pressure regulator

Lubricator

System extensions

Accessories

Special products