

Pressure regulator | BG0



Image shows:
9.1500.00.000.0V

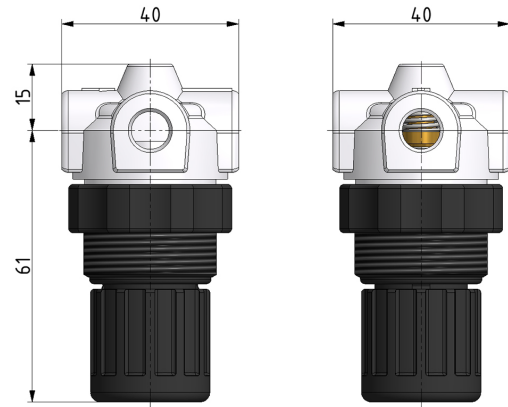
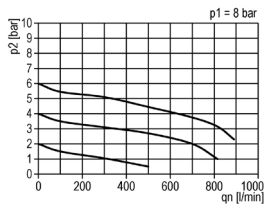
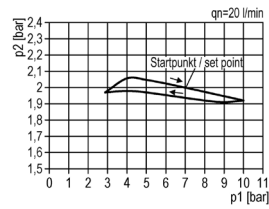


Image shows:
9.1500.00.000.0V

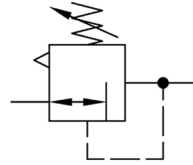
flow characteristic



pressure characteristic



symbol



technical data

description: air line regulator with diaphragm and relieving feature
medium: compressed air, neutral gases
supply pressure P1 max.: 16 bar
temperature range: -10°C - +60°C

accessories



control panel mounting:
[WH.M 30/DR.00-34](#)

type	part-number	description
DR.00	9.1500.00.000.0V	Pressure regulator G1/8 0,5-10

Service 3 unit

Service 2 unit

Filter regulator

Filter

Pressure regulator

Lubricator

System extensions

Accessories

Special products