

# Pressure regulator | BG1



Image shows:  
9.1511.00.000.0V

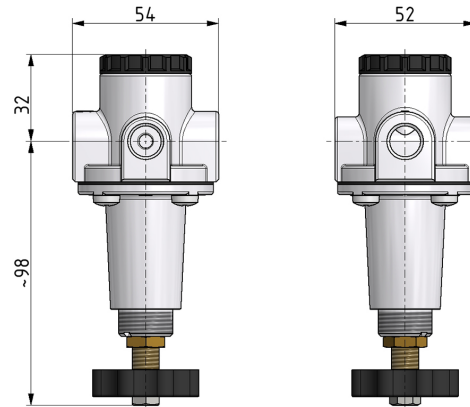
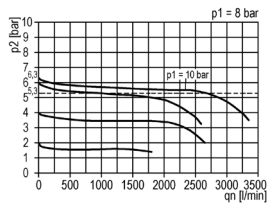
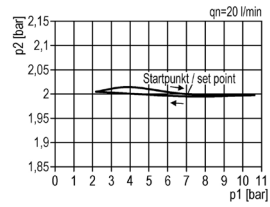


Image shows:  
9.1511.00.000.0V

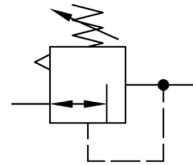
### flow characteristic



### pressure characteristic



### symbol



### technical data

**description:** air line regulator with diaphragm and relieving feature  
**medium:** compressed air, neutral gases  
**supply pressure P1 max.:** 16 bar  
**temperature range:** -10°C - +60°C

### accessories



mounting bracket: [BW.10](#)



control panel mounting: [WH.M.20/DR.11-7](#)

type	part-number	description
DR.11	9.1511.00.000.0V	Pressure regulator G1/4 0,5-10
DR.12	9.1512.00.000.0V	Pressure regulator G3/8 0,5-10