

## Pressure regulator | BG2



Image shows:  
9.1522.00.000.0V

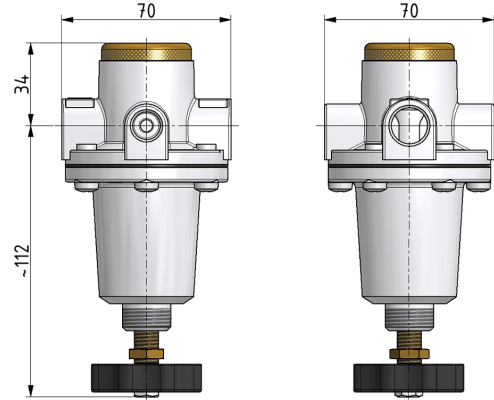
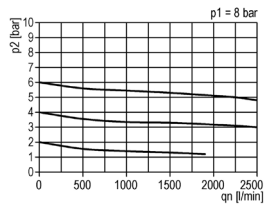
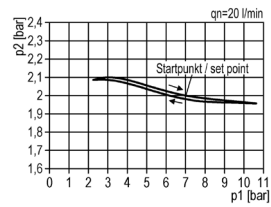


Image shows:  
9.1522.00.000.0V

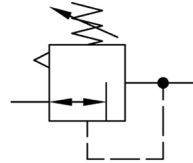
### flow characteristic



### pressure characteristic



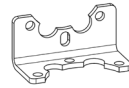
### symbol



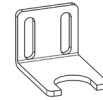
### technical data

**description:** air line regulator with diaphragm and relieving feature  
**medium:** compressed air, neutral gases  
**supply pressure P1 max.:** 25 bar  
**temperature range:** -10°C - +60°C

### accessories



mounting bracket: [BW.20](#)



control panel mounting:  
[WH.M.20/DR.11-7](#)

type	part-number	description
DR.22	9.1522.00.000.0V	Pressure regulator G3/8 0,5-10
DR.23	9.1523.00.000.0V	Pressure regulator G1/2 0,5-10

Service 3 unit

Service 2 unit

Filter regulator

Filter

Pressure regulator

Lubricator

System extensions

Accessories

Special products