

Pressure regulator | BG3

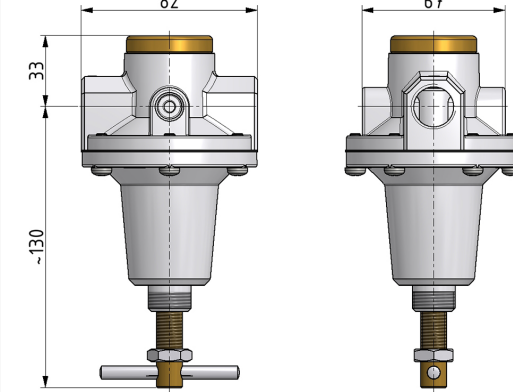
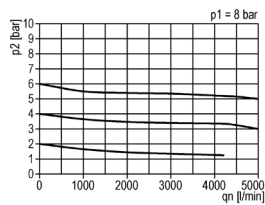


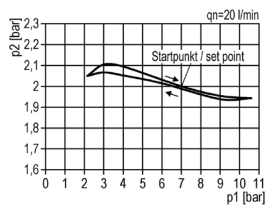
Image shows:
9.1533.00.000.0V

Image shows:
9.1533.00.000.0V

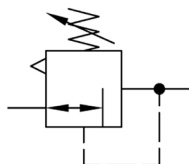
flow characteristic



pressure characteristic



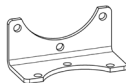
symbol



technical data

description: air line regulator with diaphragm and relieving feature
medium: compressed air, neutral gases
supply pressure P1 max.: 16 bar
temperature range: -10°C - +60°C

accessories



mounting bracket: [BW.30](#)

control panel mounting: nut
DR.11-7

type

DR.33

part-number

9.1533.00.000.0V

description

Pressure regulator G1/2 0,5-10

Service 3 unit

Service 2 unit

Filter regulator

Filter

Pressure regulator

Lubricator

System extensions

Accessories

Special products