

Pressure regulator | BG3



Image shows:
9.1534.00.000.0V

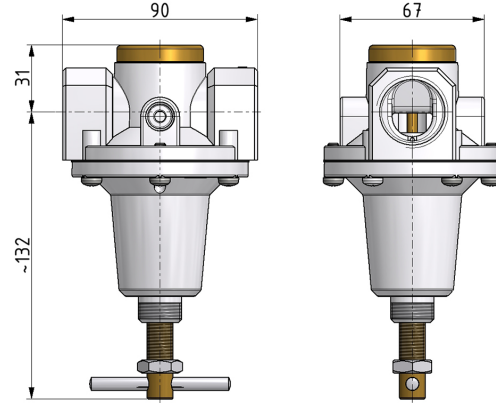
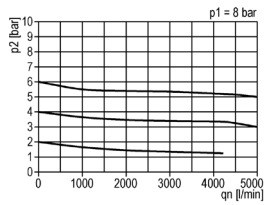
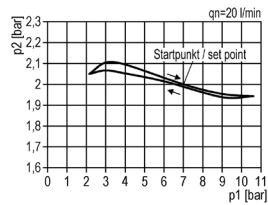


Image shows:
9.1534.00.000.0V

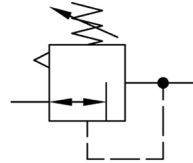
flow characteristic



pressure characteristic



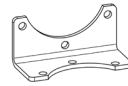
symbol



technical data

description: air line regulator with diaphragm and relieving feature
medium: compressed air, neutral gases
supply pressure P1 max.: 25 bar
temperature range: -10°C - +60°C

accessories



mounting bracket: [BW.30](#)

control panel mounting: nut
DR.11-7

| type | part-number | description |
|-------|------------------|--------------------------------|
| DR.34 | 9.1534.00.000.0V | Pressure regulator G3/4 0,5-10 |
| DR.35 | 9.1535.00.000.0V | Pressure regulator G1 0,5-10 |

Service 3 unit

Service 2 unit

Filter regulator

Filter

Pressure regulator

Lubricator

System extensions

Accessories

Special products