

# Pressure regulator | BG5

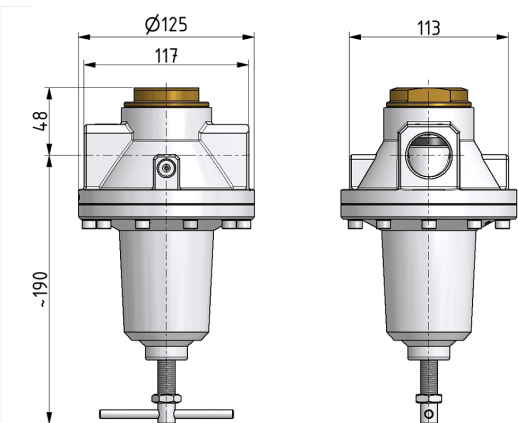
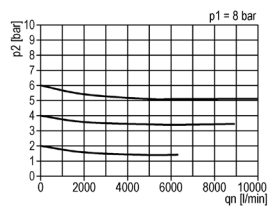


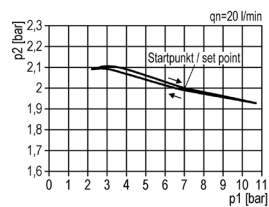
Image shows:  
9.1554.00.000.0

Image shows:  
9.1554.00.000.0

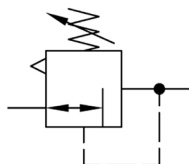
### flow characteristic



### pressure characteristic



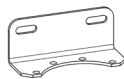
### symbol



### technical data

**description:** air line regulator with diaphragm and relieving feature  
**medium:** compressed air, neutral gases  
**supply pressure P1 max.:** 25 bar  
**temperature range:** -10°C - +60°C

### accessories



mounting bracket: [BW.50](#)

type	part-number	description
DR.54	9.1554.00.000.0	Pressure regulator G3/4 0,5-10
DR.55	9.1555.00.000.0	Pressure regulator G1 0,5-10