

## Pressure regulator | BG7

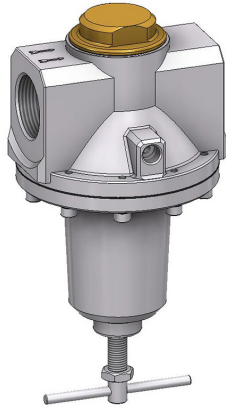


Image shows:  
9.1576.00.000.0

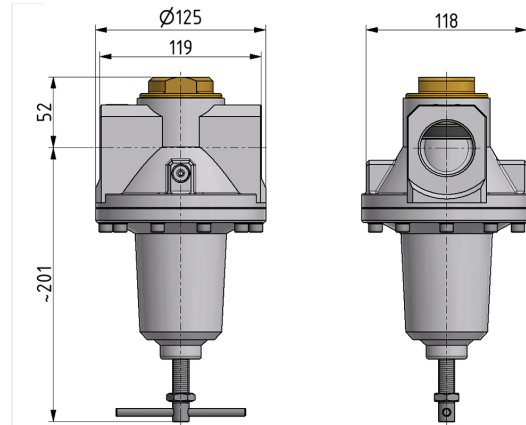
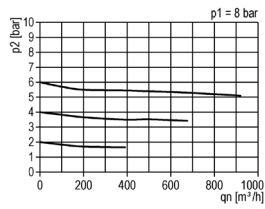
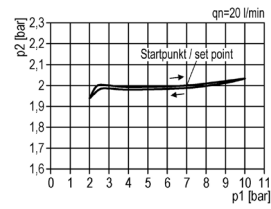


Image shows:  
9.1576.00.000.0

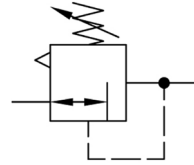
### flow characteristic



### pressure characteristic



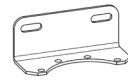
### symbol



### technical data

**description:** air line regulator with diaphragm and relieving feature  
**medium:** compressed air, neutral gases  
**supply pressure P1 max.:** 25 bar  
**temperature range:** -10°C - +60°C

### accessories



mounting bracket: [BW.50](#)

type	part-number	description
DR.76	9.1576.00.000.0	Pressure regulator G1 1/4 0,5-10
DR.77	9.1577.00.000.0	Pressure regulator G1 1/2 0,5-10

Service 3 unit

Service 2 unit

Filter regulator

Filter

Pressure regulator

Lubricator

System extensions

Accessories

Special products