

## Pressure regulator pilot control| BG5



Image shows:  
9.1554.00.200.0

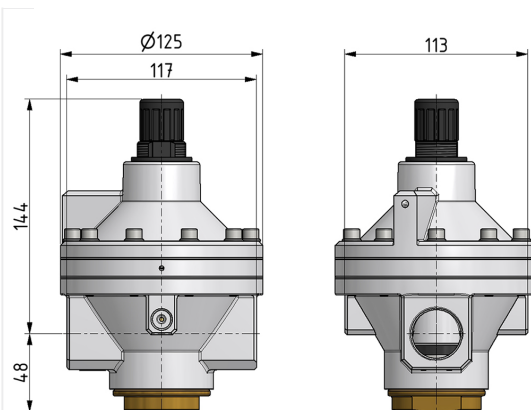
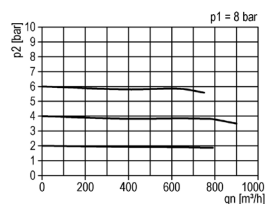
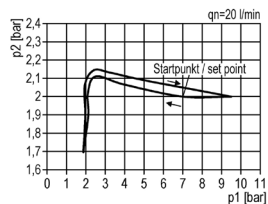


Image shows:  
9.1554.00.200.0

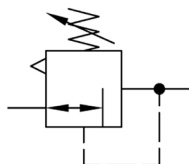
### flow characteristic



### pressure characteristic



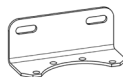
### symbol



### technical data

**description:** air line regulator with diaphragm and relieving feature, pilot operated  
**medium:** compressed air, neutral gases  
**supply pressure P1 max.:** 25 bar  
**temperature range:** -10°C - +60°C

### accessories



mounting bracket: [BW.50](#)

lockable setting knob possible

type	part-number	description
DRP.54	9.1554.00.200.0	Pressure regulator G3/4 0,5-10 pilot control
DRP.55	9.1555.00.200.0	pressure regulator G1" 0,5-10 bar pilot operated