

## Pressure regulator pilot control| BG8

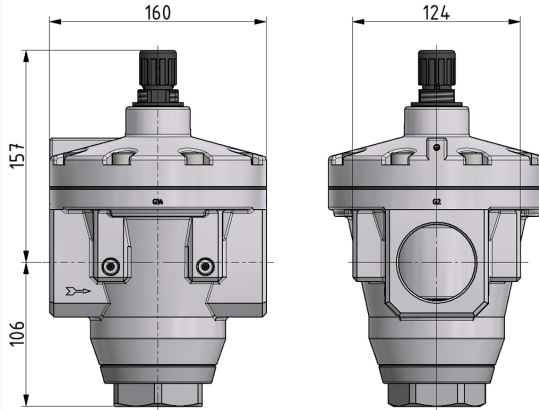
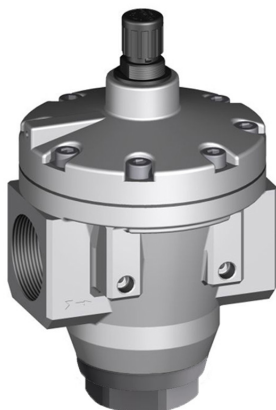
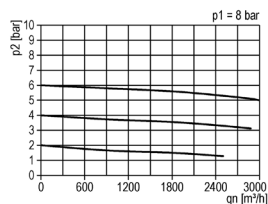


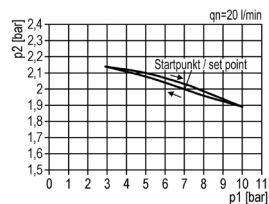
Image shows:  
9.1587.00.200.0V

Image shows:  
9.1587.00.200.0V

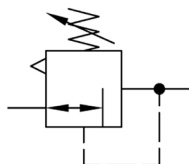
### flow characteristic



### pressure characteristic



### symbol



### technical data

**description:** air line regulator with diaphragm and relieving feature, pilot operated  
**medium:** compressed air, neutral gases  
**supply pressure P1 max.:** 25 bar  
**temperature range:** -10°C - +60°C

### accessories

lockable setting knob possible

| type   | part-number      | description                                    |
|--------|------------------|--|
| DRP.87 | 9.1587.00.200.0V | Pressure regulator G1 1/2 0,5-10 pilot control |
| DRP.88 | 9.1588.00.200.0V | Pressure regulator G2 0,5-10 pilot control     |