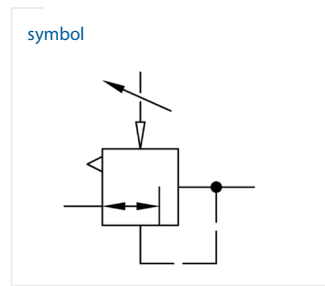
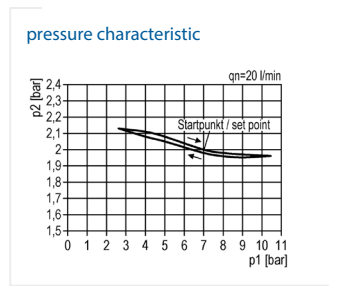
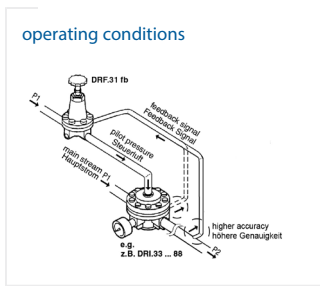
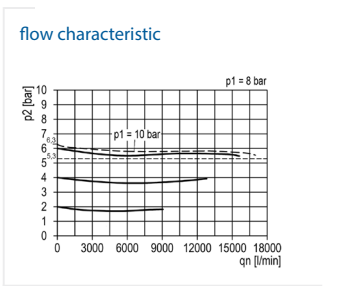
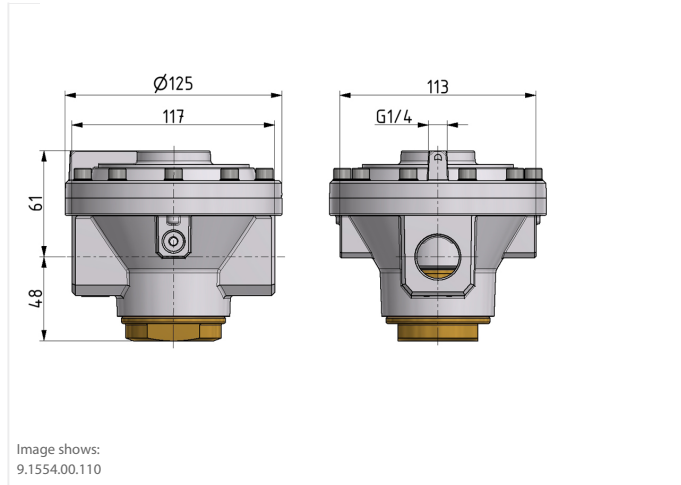
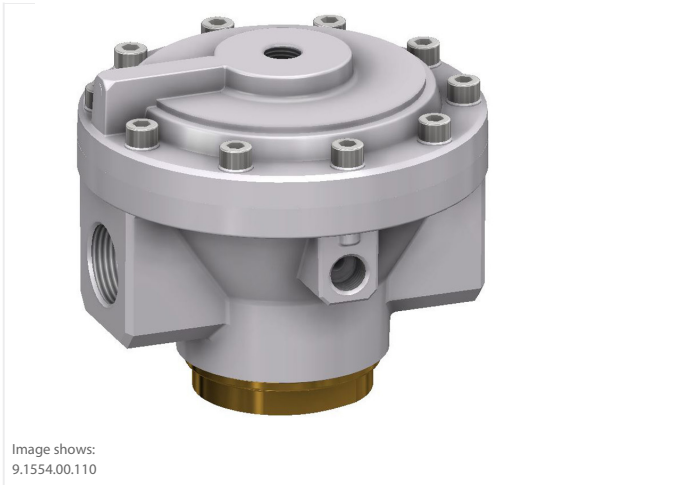




Pressure regulator pneumatic pilot operated BG5



technical data

description: air line regulator with diaphragm and relieving feature, pneumatic pilot-operated (1:1)
medium: compressed air, neutral gases
supply pressure P1 max.: 40 bar
temperature range: -10°C - +80°C

accessories

type	part-number	description
DRI.54 N	9.1554.00.110	Pressure regulator G3/4 pneumatic pilot operated (G1/4), new edition innovation summer 2018
DRI.55 N	9.1555.00.110	Pressure regulator G1 pneumatic pilot operated (G1/4), new edition innovation summer 2018
DRI.55 N	9.1555.00.112	Pressure regulator G1 pneumatic pilot operated (G1/4), new edition, without relieving feature innovation summer 2018

- Service 3 unit
- Service 2 unit
- Filter regulator
- Filter
- Pressure regulator
- Lubricator
- System extensions
- Accessories
- Special products