

# Pressure regulator pneumatic pilot operated BG8



Image shows:  
9.1587.00.100.0V

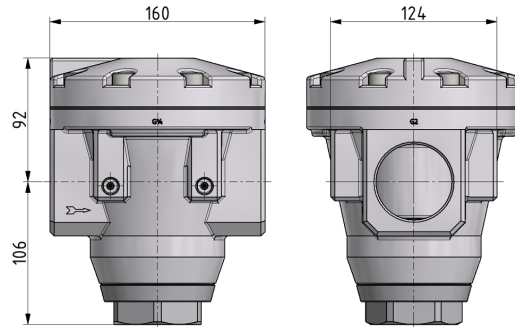
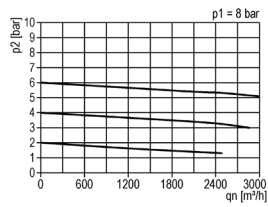
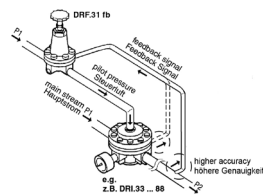


Image shows:  
9.1587.00.100.0V

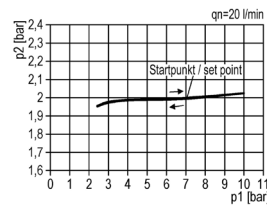
### flow characteristic



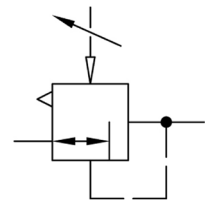
### operating conditions



### pressure characteristic



### symbol



### technical data

**description:** air line regulator with diaphragm and relieving feature, pneumatic pilot-operated (1:1)  
**medium:** compressed air, neutral gases  
**supply pressure P1 max.:** 25 bar  
**temperature range:** -10°C - +80°C

### accessories

type	part-number	description
DRI.87	9.1587.00.100.0V	Pressure regulator G1 1/2 pneumatic pilot operated (G1/4)
DRI.88	9.1588.00.100.0V	Pressure regulator G2 pneumatic pilot operated (G1/4)