

Pressure regulator for oxygen | BG0



Image shows:
9.1600.00.002

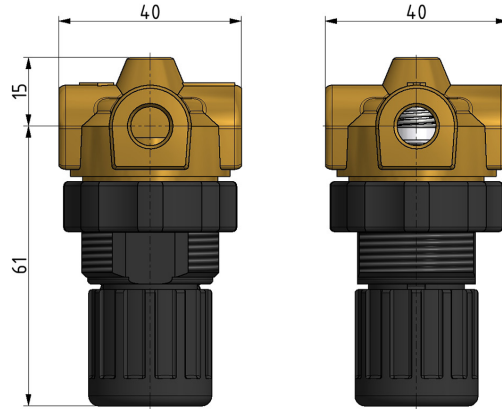
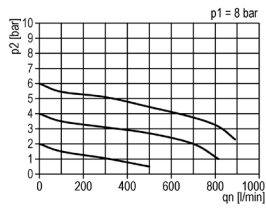
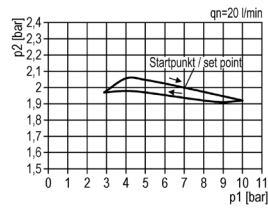


Image shows:
9.1600.00.002

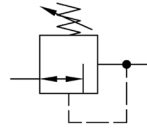
flow characteristic



pressure characteristic



symbol



technical data

description: air line regulator with diaphragm without relieving feature
medium: compressed air, medical oxygen, NO₂ (nitrous oxide)
supply pressure P1 max.: 14 bar
temperature range: -10°C - +60°C

accessories



control panel mounting:
[WH.M 30/DR.00-34](#)

type	part-number	description
DR.00 mO	9.1600.00.002	Pressure regulator G1/8 0,5-10 for medical oxygen
DR.01 mO	9.1601.00.016	Pressure regulator G1/4 0,5-10 for medical oxygen

Service 3 unit

Service 2 unit

Filter regulator

Filter

Pressure regulator

Lubricator

System extensions

Accessories

Special products