

# Pressure regulator for oxygen| BG5

Service 3 unit

Service 2 unit

Filter regulator

Filter

Pressure regulator

Lubricator

System extensions

Accessories

Special products



Image shows:  
9.1655.00.001.0

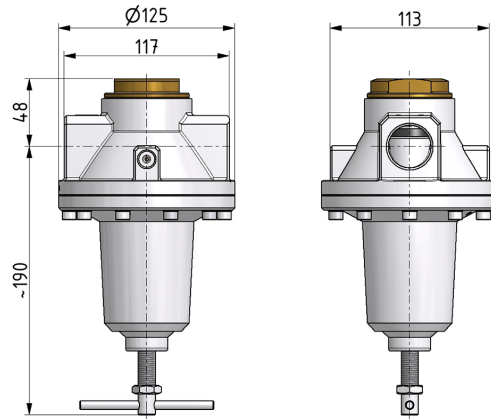
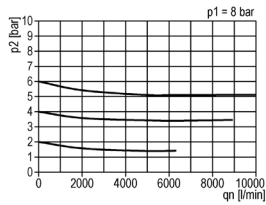
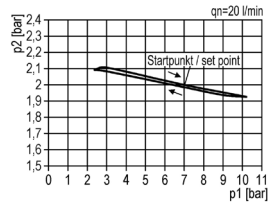


Image shows:  
9.1655.00.001.0

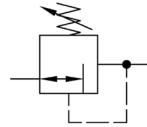
### flow characteristic



### pressure characteristic



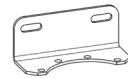
### symbol



### technical data

**description:** air line regulator with diaphragm without relieving feature  
**medium:** compressed air, oxygen, non corrosive gases  
**supply pressure P1 max.:** 14 bar  
**temperature range:** -10°C - +60°C

### accessories



mounting bracket: [BW.50](#)

type	part-number	description
DR.55 O	9.1655.00.001.0	Pressure regulator G1 0,5-10 for oxygen