

## Pressure regulator stainless steel | BGO

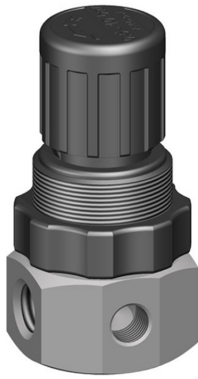


Image shows:  
9.1501.00.1000.V

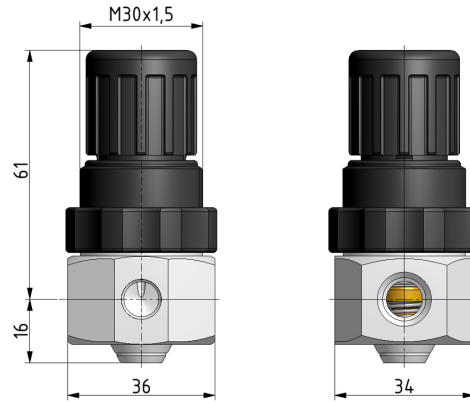
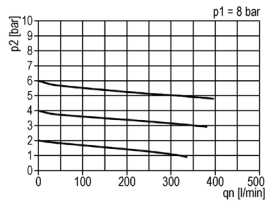
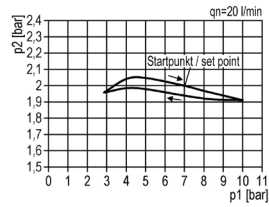


Image shows:  
9.1501.00.1000.V

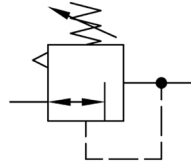
### flow characteristic



### pressure characteristic



### symbol



### technical data

- **description:** air line regulator with diaphragm and relieving feature
- **medium:** compressed air, neutral gases
- **supply pressure P1 max.:** 16 bar
- **temperature range:** -10°C - +80°C

### accessories

- **control panel mounting:** nut  
C.00-34

### type

XDR.01

### part-number

9.1501.00.1000.V

### description

Pressure regulator G1/4 0,5-10 stainless steel

## Pressure regulator stainless steel | BGO

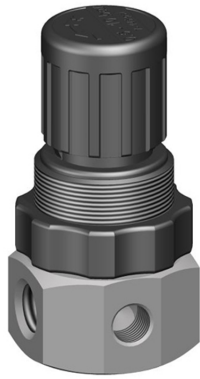


Image shows:  
9.1501.00.1200.V

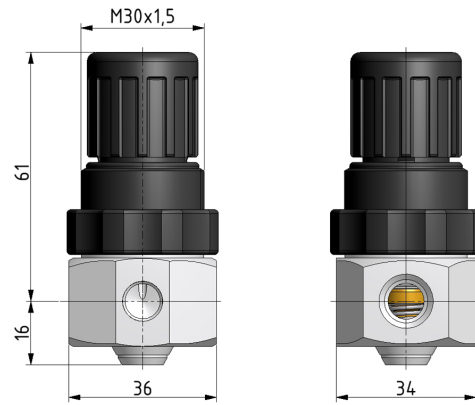
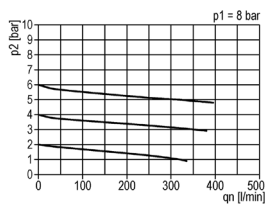
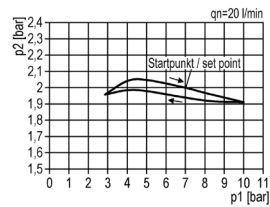


Image shows:  
9.1501.00.1200.V

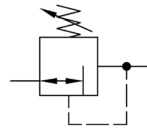
### flow characteristic



### pressure characteristic



### symbol



### technical data

- **description:** air line regulator with diaphragm and relieving feature
- **medium:** compressed air, neutral gases
- **supply pressure P1 max.:** 25 bar
- **temperature range:** -10°C - +80°C

### accessories

- **control panel mounting:** nut  
C.00-34

### type

XXDR.01

### part-number

9.1501.00.1200.V

### description

Pressure regulator G1/4 0,5-10 from stainless steel (V4A), Viton seals