

## Pressure regulator for water | BG0



Image shows:  
9.1500.00.600.V

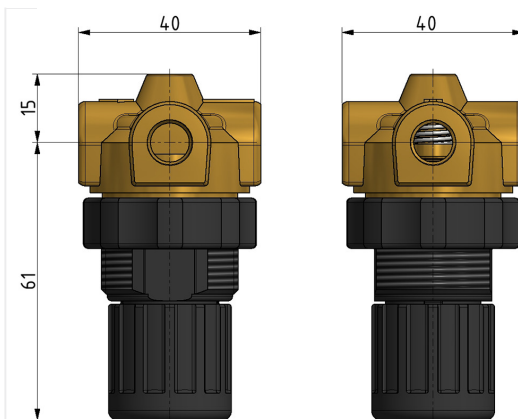
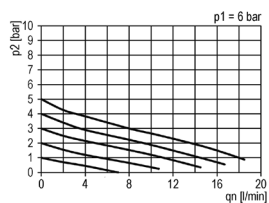
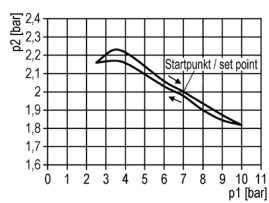


Image shows:  
9.1500.00.600.V

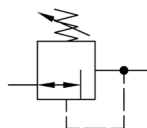
### flow characteristic



### pressure characteristic



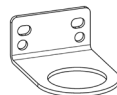
### symbol



### technical data

**description:** air line regulator with diaphragm without relieving feature  
**medium:** water, neutral liquids  
**supply pressure P1 max.:** 25 bar  
**temperature range:** -10°C - +60°C

### accessories



control panel mounting:  
[WH.M 30/DR.00-34](#)

type	part-number	description
DR.021-00	9.1500.00.600.V	Pressure regulator G1/8 0,5-10 for water
DR.021-01	9.1501.00.600.V	Pressure regulator G1/4 0,5-10 for water