

## Pressure regulator for brake fluid | BGO



Image shows:  
9.1601.00.038

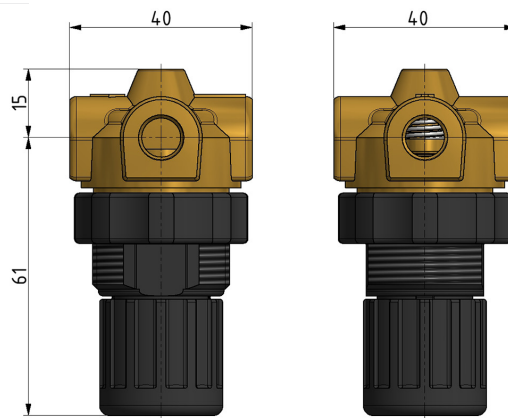
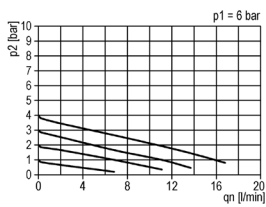
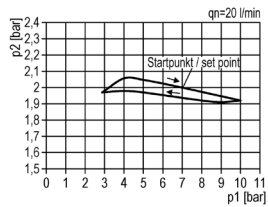


Image shows:  
9.1601.00.038

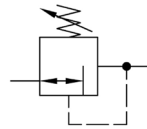
### flow characteristic



### pressure characteristic



### symbol



### technical data

**description:** air line regulator with diaphragm without relieving feature  
**medium:** brake fluid  
**supply pressure P1 max.:** 25 bar  
**temperature range:** -10°C - +60°C

### accessories



control panel mounting:  
[WH.M 30/DR.00-34](#)

### type

DR.01 B

### part-number

9.1601.00.038

### description

Pressure regulator G1/4 0,5-10 for brake fluid (EPDM)

Service 3 unit

Service 2 unit

Filter regulator

Filter

Pressure regulator

Lubricator

System extensions

Accessories

Special products