

Feedback regulator| BG3

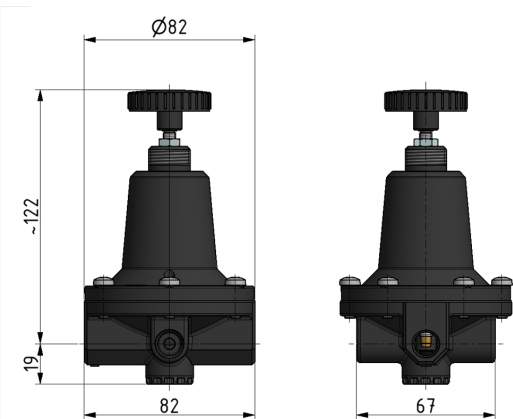
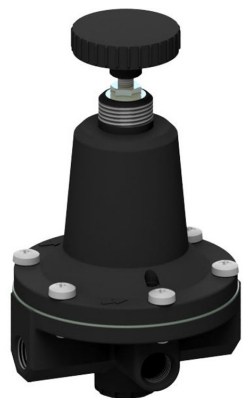
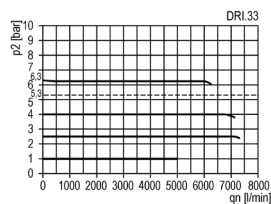


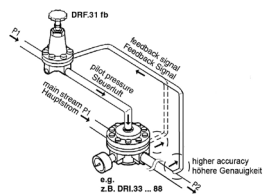
Image shows:
9.6231.00.516.2V

Image shows:
9.6231.00.516.2V

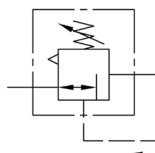
flow characteristic



operating conditions



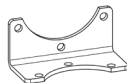
symbol



technical data

description: air line regulator with diaphragm for feedback systems (e.g. together with DRI.33 ... 88)
medium: compressed air, neutral gases
supply pressure P1 max.: 16 bar
temperature range: -10°C - +60°C
air consumption: 3 - 6 l/min

accessories



mounting bracket: [BW.30](#)

control panel mounting: nut DR.11-7

type	part-number	description
DRF.31 fb	9.6231.00.516.2V	Feedback regulator G1/4 0,2-7

Service 3 unit

Service 2 unit

Filter regulator

Filter

Pressure regulator

Lubricator

System extensions

Accessories

Special products