

Pressure regulator pilot control| BG3



Image shows:
9.1532.00.200.0V

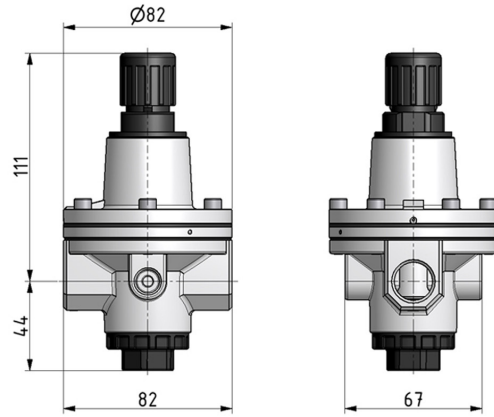
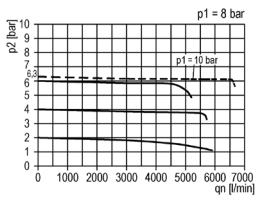
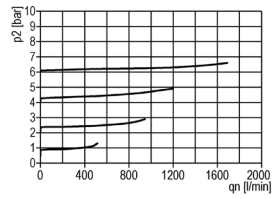


Image shows:
9.1532.00.200.0V

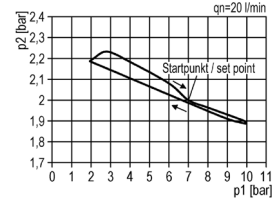
flow characteristic



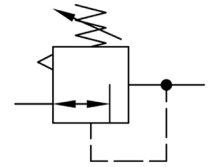
exhaust characteristics



pressure characteristic



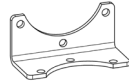
symbol



technical data

description: air line regulator with diaphragm and high relieving feature, pilot operated
medium: compressed air, neutral gases
supply pressure P1 max.: 16 bar
temperature range: -10°C - +60°C
air consumption: < 1 l/min at P2 6 bar

accessories



mounting bracket:
[FDR.03-52](#)

type	part-number	description
DRP.32 HR	9.1532.00.200.0V	Pressure regulator G3/8 0,5-10 pilot control
DRP.33 HR	9.1533.00.200.0V	Pressure regulator G1/2 0,5-10 pilot control

Service 3 unit

Service 2 unit

Filter regulator

Filter

Pressure regulator

Lubricator

System extensions

Accessories

Special products