

Precision pressure regulator | BG1



Image shows:
9.6211.00.000.0V

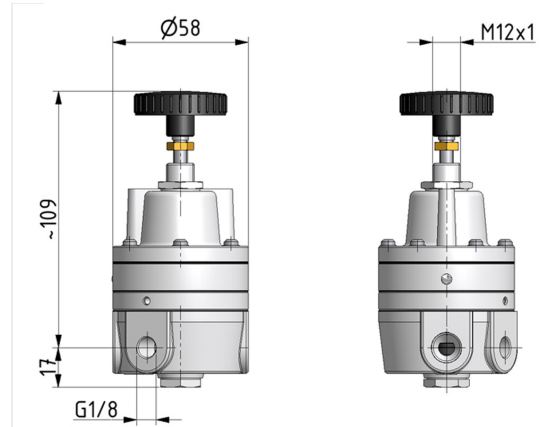
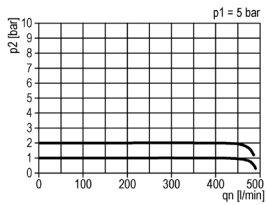
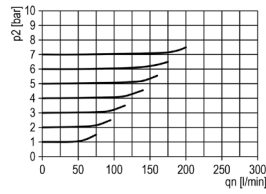


Image shows:
9.6211.00.000.0V

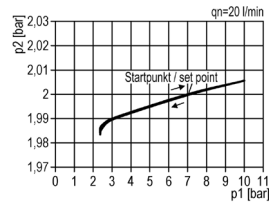
flow characteristic



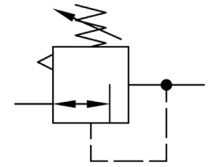
exhaust characteristics



pressure characteristic



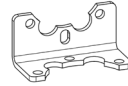
symbol



technical data

description: air line regulator with diaphragm and relieving feature
medium: compressed air, neutral gases
supply pressure P1 max.: 16 bar
temperature range: -10°C - +60°C
air consumption: < 2,2 l/min at P1 5 bar, < 3,0 l/min at P1 7 bar, < 4,1 l/min at P1 10 bar

accessories



mounting bracket:
[FDR.02-52](#)

type	part-number	description
FDR.02 B2 S	9.6211.00.000.0V	Precision pressure regulator G1/4 0,05-2 (nonferrous metal)
FDR.02 B4 S	9.6211.00.001.0V	Precision pressure regulator G1/4 0,05-4 (nonferrous metal)
FDR.02 B7 S	9.6211.00.002.0V	Precision pressure regulator G1/4 0,05-7 (nonferrous metal)
FDR.02 B10 S	9.6211.00.003.0V	Precision pressure regulator G1/4 0,05-10 (nonferrous metal)

Service 3 unit

Service 2 unit

Filter regulator

Filter

Pressure regulator

Lubricator

System extensions

Accessories

Special products