

## Precision pressure regulator | BG3



Image shows:  
9.6231.00.400.0V

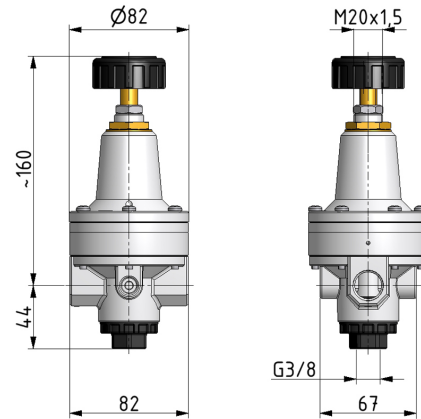
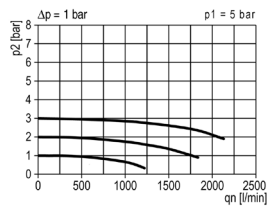
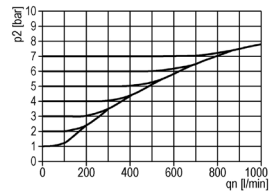


Image shows:  
9.6231.00.400.0V

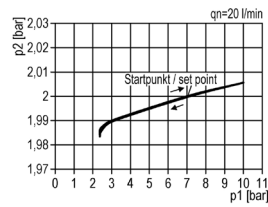
### flow characteristic



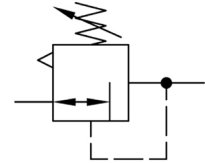
### exhaust characteristics



### pressure characteristic



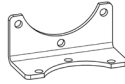
### symbol



### technical data

- **description:** air line regulator with diaphragm and relieving feature
- **medium:** compressed air, neutral gases
- **supply pressure P1 max.:** 16 bar
- **temperature range:** -35°C - +60°C
- **control panel nut:** control panel nut
- **air consumption:** < 1,5 l/min at P1 5 bar, < 2,0 l/min at P1 7 bar, < 4,0 l/min at P1 10 bar, < 6,0 l/min at P1 12 bar

### accessories



- **mounting bracket:**  
[FDR.03-52](#)

type	part-number	description
FDR.03-31 B3 S	9.6231.00.400.0V	Precision pressure regulator G1/4 0,05-3
FDR.03-31 B5 S	9.6231.00.401.0V	Precision pressure regulator G1/4 0,05-5
FDR.03-31 B7 S	9.6231.00.402.0V	Precision pressure regulator G1/4 0,05-7
FDR.03-31 B10 S	9.6231.00.403.0V	Precision pressure regulator G1/4 0,05-10
FDR.03-32 B3 S	9.6232.00.400.0V	Precision pressure regulator G3/8 0,05-3
FDR.03-32 B5 S	9.6232.00.401.0V	Precision pressure regulator G3/8 0,05-5
FDR.03-32 B7 S	9.6232.00.402.0V	Precision pressure regulator G3/8 0,05-7
FDR.03-32 B10 S	9.6232.00.403.0V	Precision pressure regulator G3/8 0,05-10
FDR.03-33 B3 S	9.6233.00.400.0V	Precision pressure regulator G1/2 0,05-3
FDR.03-33 B5 S	9.6233.00.401.0V	Precision pressure regulator G1/2 0,05-5
FDR.03-33 B7 S	9.6233.00.402.0V	Precision pressure regulator G1/2 0,05-7
FDR.03-33 B10 S	9.6233.00.403.0V	Precision Pressure Regulator / G 1/2" / FDR.03-33 B10 S

Service 3 unit

Service 2 unit

Filter regulator

Filter

Pressure regulator

Lubricator

System extensions

Accessories

Special products