

## Precision pressure regulator | BG1

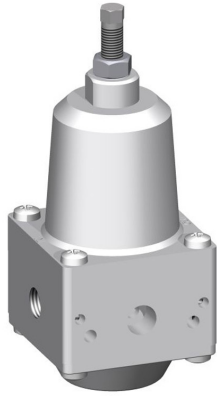


Image shows:  
9.6211.00.163.0V

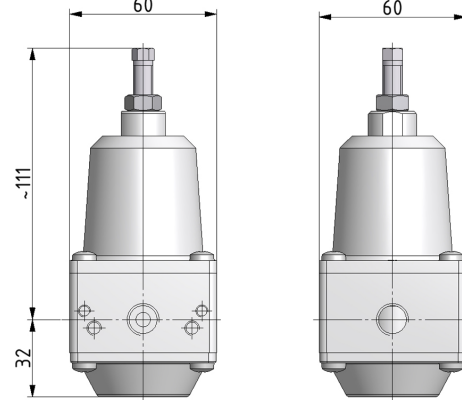
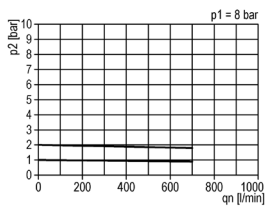
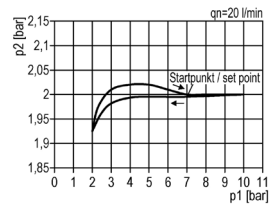


Image shows:  
9.6211.00.163.0V

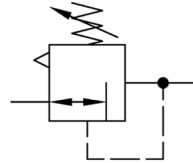
### flow characteristic



### pressure characteristic



### symbol



### technical data

- description:** air line regulator with diaphragm and relieving feature
- medium:** compressed air, neutral gases
- supply pressure P1 max.:** 16 bar
- temperature range:** -10°C - +60°C
- air consumption:** 0,2 l/min, depend upon secondary pressure

### accessories



mounting bracket:  
[FDP.11-40](#)

type	part-number	description
FDR.11 E2	9.6211.00.163.0V	Precision pressure regulator G1/4 0,1-2
FDR.11 E3	9.6211.00.164.0V	Precision pressure regulator G1/4 0,1-3
FDR.11 E5	9.6211.00.165.0V	Precision pressure regulator G1/4 0,2-5

Service 3 unit

Service 2 unit

Filter regulator

Filter

Pressure regulator

Lubricator

System extensions

Accessories

Special products