

# Precision regulator | BG3

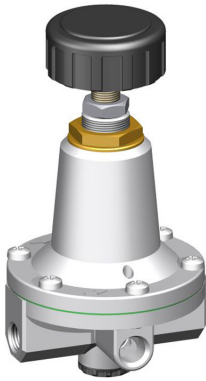


Image shows:  
9.6231.00.217.0V

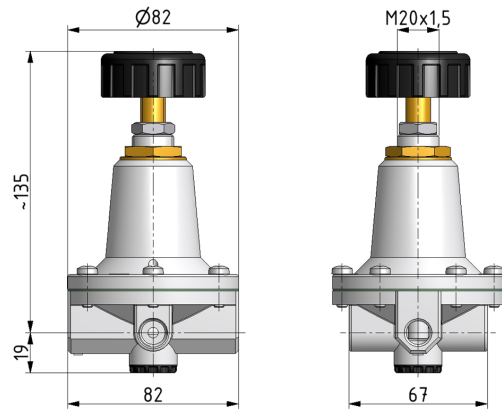
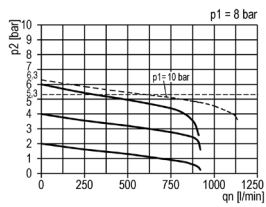
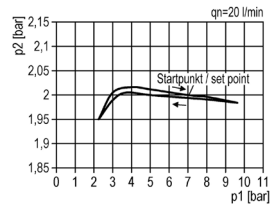


Image shows:  
9.6231.00.217.0V

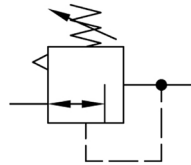
## flow characteristic



## pressure characteristic



## symbol



## technical data

- description:** air line regulator with diaphragm and relieving feature
- medium:** compressed air, neutral gases
- supply pressure P1 max.:** 16 bar
- temperature range:** -10°C - +60°C
- control panel nut:** control panel nut

## accessories

### type

DRF.31 S

### part-number

9.6231.00.217.0V

### description

Fine pressure regulator G1/4 0,5-10 with panel mounting ring

Service 3 unit

Service 2 unit

Filter regulator

Filter

Pressure regulator

Lubricator

System extensions

Accessories

Special products