

Filter | BG0



Image shows:
9.1100.00.050.0V

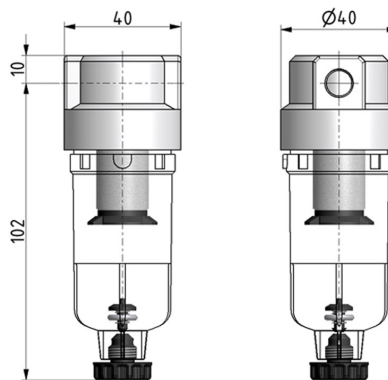
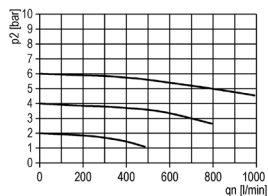
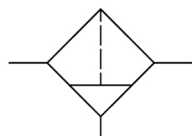


Image shows:
9.1100.00.050.0V

flow characteristic



symbol



technical data

description: sinter filter centrifugal principle
medium: compressed air, neutral gases
supply pressure P1 min.: 1,5 bar
supply pressure P1 max.: 16 bar
temperature range: -10°C - +60°C
bowl: PC
drain: HA
mounting: vertical
filter element: 5 µm

accessories

type	part-number	description
DF.00 HA4	9.1100.00.050.0V	Filter G1/8 5µm with PC bowl and semi automatic drain
DF.00 M HA4	9.1100.00.052.0V	Filter G1/8 5µm with metal bowl and semi automatic drain
DF.01 HA4	9.1101.00.050.0V	Filter G1/4 5µm with PC bowl and semi automatic drain
DF.01 M HA4	9.1101.00.052.0V	Filter G1/4 5µm with metal bowl and semi automatic drain

Service 3 unit

Service 2 unit

Filter regulator

Filter

Pressure regulator

Lubricator

System extensions

Accessories

Special products