

## Filter | BG2



Image shows:  
9.1122.00.350.0V

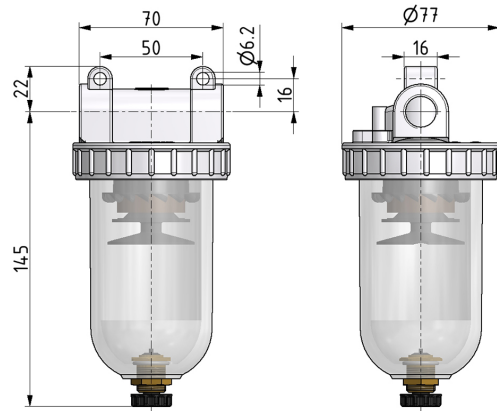
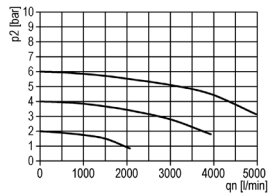
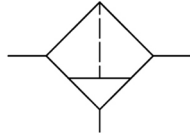


Image shows:  
9.1122.00.350.0V

## flow characteristic



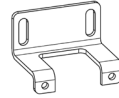
## symbol



## technical data

- **description:** sinter filter centrifugal principle
- **medium:** compressed air, neutral gases
- **supply pressure P1 min.:** 1,5 bar
- **supply pressure P1 max.:** 16 bar
- **temperature range:** -10°C - +60°C
- **bowl:** PC
- **drain:** HA3
- **mounting:** vertical
- **filter element:** 40 µm

## accessories



- **mounting bracket:** [ZW.30](#)

type	part-number	description
DF.22 HA3	9.1122.00.350.0V	Filter G3/8 40µm with PC bowl and semi automatic drain
DF.22 M HA3	9.1122.00.352.0V	Filter G3/8 40µm with metal bowl and semi automatic drain
DF.22 HA3 B	9.1122.00.353.0V	Filter G3/8 40µm with PC bowl, bowl guard and semi automatic drain
DF.22 AM10	9.1122.00.400.0V	Filter G3/8 40µm with PC bowl and automatic drain
DF.22 M AM10	9.1122.00.402.0V	Filter G3/8 40µm with metal bowl and automatic drain
DF.23 HA3	9.1123.00.350.0V	Filter G1/2 40µm with PC bowl and semi automatic drain
DF.23 M HA3	9.1123.00.352.0V	Filter G1/2 40µm with metal bowl and semi automatic drain
DF.23 HA3 B	9.1123.00.353.0V	Filter G1/2 40µm with PC bowl, bowl guard and semi automatic drain
DF.23 AM10	9.1123.00.400.0V	Filter G1/2 40µm with PC bowl and automatic drain
DF.23 M AM10	9.1123.00.402.0V	Filter G1/2 40µm with metal bowl and automatic drain
DF.23 AM10 B	9.1123.00.403.0V	Filter G1/2 40µm with PC bowl, bowl guard and automatic drain

Service 3 unit

Service 2 unit

Filter regulator

Filter

Pressure regulator

Lubricator

System extensions

Accessories

Special products