

Filter | BG3



Image shows:
9.1133.00.050.0V

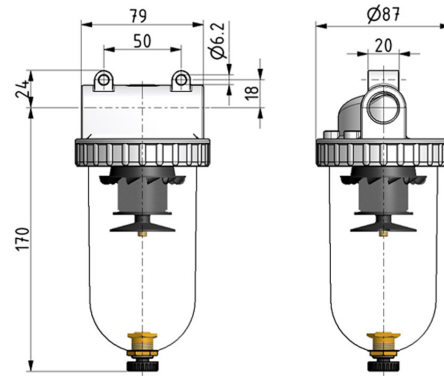
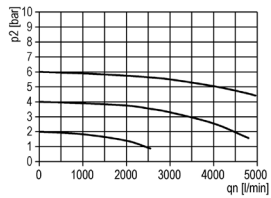
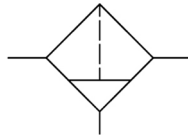


Image shows:
9.1133.00.050.0V

flow characteristic



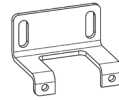
symbol



technical data

description: sinter filter centrifugal principle
medium: compressed air, neutral gases
supply pressure P1 min.: 1,5 bar
supply pressure P1 max.: 16 bar
temperature range: -10°C - +60°C
bowl: PC
drain: HA3
mounting: vertical
filter element: 5 µm

accessories



mounting bracket: [ZW.30](#)

type	part-number	description
DF.33 HA3	9.1133.00.050.0V	Filter G1/2 5µm with PC bowl and semi automatic drain
DF.33 M HA3	9.1133.00.052.0V	Filter G1/2 5µm with metal bowl and semi automatic drain
DF.33 HA3 B	9.1133.00.053.0V	Filter G1/2 5µm with PC bowl, bowl guard and semi automatic drain
DF.33 AM10	9.1133.00.100.0V	Filter G1/2 5µm with PC bowl and automatic drain
DF.33 M AM10	9.1133.00.102.0V	Filter G1/2 5µm with metal bowl and automatic drain
DF.33 AM10 B	9.1133.00.103.0V	Filter G1/2 5µm with PC bowl, bowl guard and automatic drain