

Filter | BG3

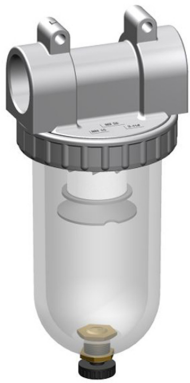


Image shows:
9.1134.00.050.0V

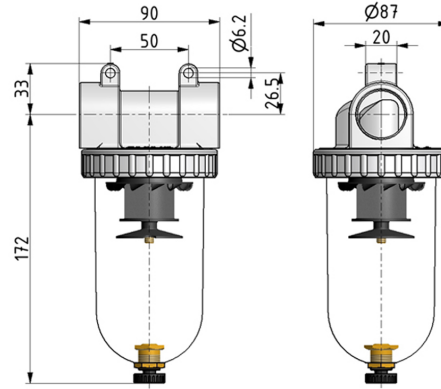
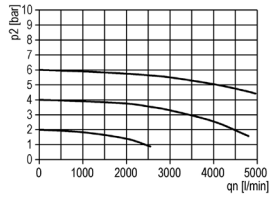
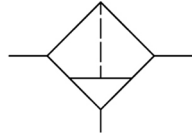


Image shows:
9.1134.00.050.0V

flow characteristic



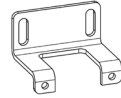
symbol



technical data

- **description:** sinter filter centrifugal principle
- **medium:** compressed air, neutral gases
- **supply pressure P1 min.:** 1,5 bar
- **supply pressure P1 max.:** 16 bar
- **temperature range:** -10°C - +60°C
- **bowl:** PC
- **drain:** HA3
- **mounting:** vertical
- **filter element:** 5 µm

accessories



- **mounting bracket:** [ZW.30](#)

Service 3 unit

Service 2 unit

Filter regulator

Filter

Pressure regulator

Lubricator

System extensions

Accessories

Special products

type	part-number	description
DF.34 HA3	9.1134.00.050.0V	Filter G3/4 5µm with PC bowl and semi automatic drain
DF.34 M HA3	9.1134.00.052.0V	Filter G3/4 5µm with metal bowl and semi automatic drain
DF.34 HA3 B	9.1134.00.053.0V	Filter G3/4 5µm with PC bowl, bowl guard and semi automatic drain
DF.34 AM10	9.1134.00.100.0	Filter G3/4 5µm with PC bowl and automatic drain
DF.34 M AM10	9.1134.00.102.0V	Filter G3/4 5µm with metal bowl and automatic drain
DF.35 HA3	9.1135.00.050.0V	Filter G1 5µm with PC bowl and semi automatic drain
DF.35 M HA3	9.1135.00.052.0V	Filter G1 5µm with metal bowl and semi automatic drain
DF.35 HA3 B	9.1135.00.053.0V	Filter G1 5µm with PC bowl, bowl guard and semi automatic drain
DF.35 AM10	9.1135.00.100.0V	Filter G1 5µm with PC bowl and automatic drain
DF.35 M AM10	9.1135.00.102.0	Filter G1 5µm with metal bowl and automatic drain

Service 3 unit

Service 2 unit

Filter regulator

Filter

Pressure regulator

Lubricator

System extensions

Accessories

Special products